



## TECHNICAL GUIDE

### SINGLE PACKAGE

### AIR CONDITIONER / GAS HEAT

16 SEER – R-410A – 208/230V - 1 PHASE

2 THRU 5 NOMINAL TONS

50 - 125 MBH HEAT INPUT

MODELS: PCG6\*24 THRU 60



Due to continuous product improvement, specifications are subject to change without notice.

Visit us on the web at [www.upgnet.com](http://www.upgnet.com) and [www.york.com](http://www.york.com)

Additional rating information can be found at: [www.ahridirectory.org](http://www.ahridirectory.org)

### WARRANTY SUMMARY\*

Extended 10-Years limited parts and compressor warranty  
Lifetime gas heat exchanger warranty with registration.

\* Extended warranty requires online registration within 90 days of purchase for replacement or closing for new home purchase. See limited warranty certificate in User's Information Manual for details.

## DESCRIPTION

These packaged cooling/heating air conditioners are designed for outdoor installation. Only utility and duct connections are required at the point of installation.

## FEATURES

- **Operating Efficiency** - All PCG6 model gas units provide a minimum AFUE of 81.0% in heating and 16.0 SEER, 12.0 EER rating for cooling operation. All models meet California Low-Nox requirements of 40 ng/joule emission level for Air Quality Management Districts. All PCG6 models utilize a multi-stage compressor for maximum comfort and efficiency.
- **On Site Flexibility** - All model sizes use a compact design cabinet in one of two footprints. This provides installer flexibility for placing the proper capacity unit on curbs or pads with the smallest footprint after the internal load has been determined. Field convertible duct connections from side flow to downflow allows the installer to have greater flexibility with less inventory.
- **Lower Installation Cost** - Installation time and costs are reduced by easy power and control wiring connections. The small base dimension means less space is required on the ground or roof. All units are completely wired, charged with R-410A and tested prior to shipment. Test stations using a state-of-the-art computerized process system are used to ensure product quality. Refrigerant charge and component part numbers are verified via computers during assembly. Vital run test statistics such as system pressure, motor currents, air velocity and temperature, unit vibration, and gas system safeties are monitored and recorded by the system to ensure unit performance. Equal size side supply and return duct connections allow easy connection of ducts to match low crawl spaces without transition pieces.
- **Utility Connections Made Easy** - Gas and electric utility access provided through the bottom or the side of the unit. Utility connections can be made quickly and with a minimum amount of field labor. A field supplied and field installed electrical disconnect switch must be installed.
- **Convertible Airflow Design** - The bottom duct openings are covered when they leave the factory, ready to be used for a side supply/side return application. If a bottom supply/bottom return application is desired, simply remove the two panels from the bottom of the unit and place them in the side supply/side return duct openings. No panel cutting is required and no accessory panel is necessary. Convertible airflow design allows maximum field flexibility and minimum inventory.
- **Condensate Pan** - A corrosion-resistant, long-lasting, water-tight pan is positioned below the evaporator coil to collect and drain all condensate, preventing build-up of stagnant condensate. The condensate pan conforms to ASHRAE 62-89 standards (Ventilation for Acceptable Indoor Air Quality).
- **Condensate Drain** - The 3/4 inch NPT female connection is rigidly mounted to assure proper fit and leak tight seal.
- **Durable Finish** - The cabinet is made of G90 galvanized steel with a powder paint coating for appearance and protection. The pre-treated galvanized steel provides a better paint-to-steel bond, which resists corrosion and rust creep. Powder paint finish ensure less fading when exposed to sunlight, and provides superior corrosion resistance (1000 hour salt spray tested).

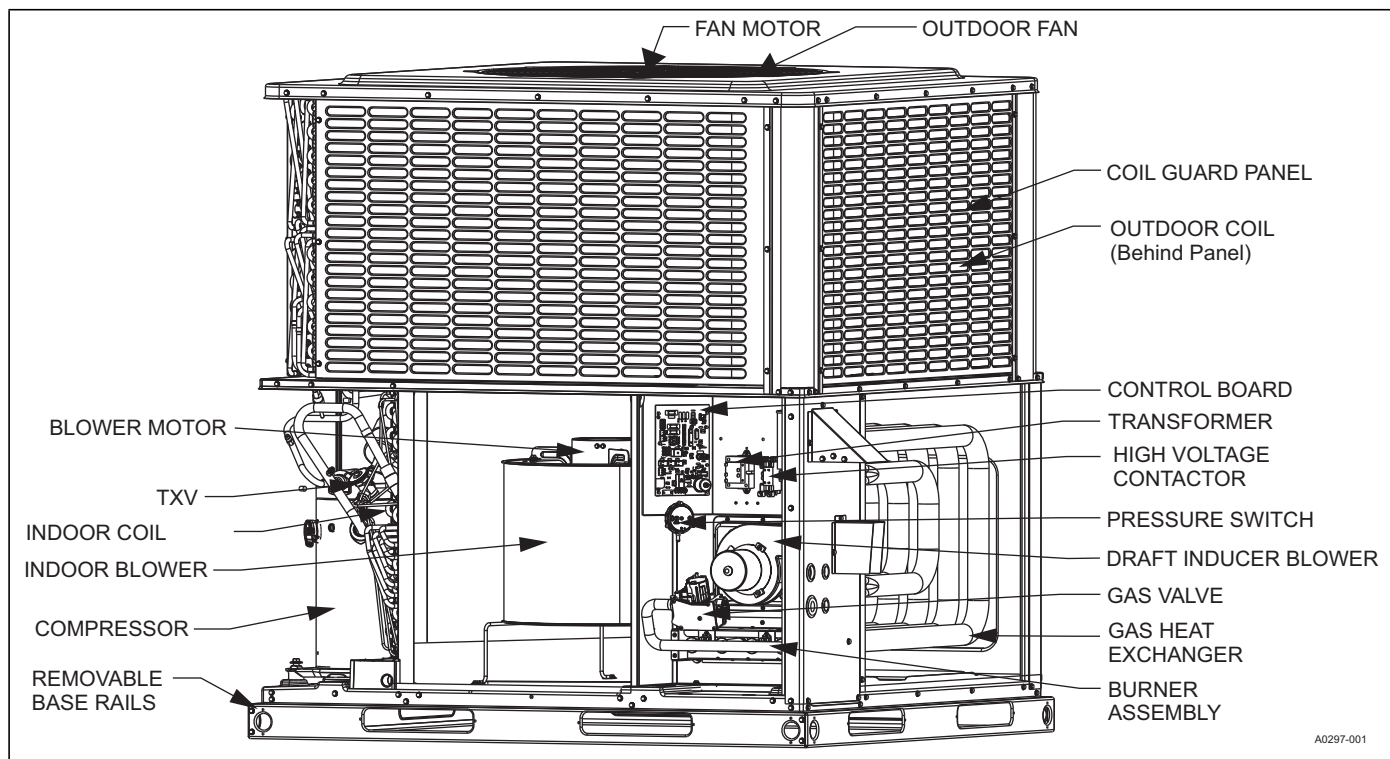
Continued on next page.

- **Full Perimeter Base Rails** - The easily removable base rails provide a solid foundation for the entire unit and protects the unit during shipment. The rails provide fork lift access from all sides, and rigging holes are also provided so that an overhead crane can be used to place the units on a roof. On applications where the unit is placed on a pad, the base will keep the unit off the pad to deter corrosion. On applications where height is limited, the base rails may be removed by removing 2 screws in each corner.
- **More Attractive Appearance** - A single-piece top cover containing a top-discharge outdoor fan arrangement requires less square footage on installation and provides a wider variety of installations. The one-piece design adds greater water integrity. Rounded corners with water drip edges add to the attractive appearance.
- **Top Discharge** - The top-discharge outdoor fan does not disrupt neighboring areas or dry out vegetation surrounding the unit. The warm air from the top mounted fan is blown up and away from the structure and any landscaping. This allows compact location on multi-unit applications.
- **Outdoor Coil Grille** - All models utilize a stamped slotted design which provides superior impact protection against small objects during transit and after installation.
- **Low Operating Sound Level** - The upward air flow carries the normal operating noise up and away from the living area. The rigid top panel effectively isolates noise. Isolator mounted compressor and the rippled fins of the outdoor coil muffle the normal fan motor and compressor operating sounds. The uniquely formed base pan also aids in sound attenuation with its structural design. This design strategically places embossments in the pan for optimum strength and rigidity.
- **Fan System** - All models operate over a wide range of design conditions with an enhanced ECM indoor fan motor. These units easily match all types of applications and provide greater on-site flexibility to match comfort requirements. The cooling speed is factory-set and can be field-adjusted to a second speed. The heating speed is factory set to maintain mid point rise at the units heating input, but can be field adjusted. This allows maximum comfort conditions.
- **Simple Control Circuit** - A low voltage gas heat printed circuit board contains a status/diagnostic indicator light. Field thermostat wiring connects to color coded leads using twist on wire connections. Cooling controls use contactor and relays for simple application and troubleshooting. Mate-n-lock plug connectors are used. The electrical control box is not located in the compressor compartment. The controls are mounted to allow the separate access panel to be removed for trouble shooting and maintenance without affecting the normal system operating pressures. All wiring internal to the unit is color/number coded.
- **Protected Compressor** - The compressor is internally protected against high pressure and temperature. This is accomplished by the simultaneous operation of scroll bypass and a temperature sensor which protect the compressor if undesirable operating conditions occur.
- **Pressure Switches** - A high pressure switch is standard in all units. It is an automatic reset switch. When discharge pressure reaches 650 psi, the compressor de-energizes until pressure reaches 450 psi.
- **Exclusive Coil Design** - Grooved copper tubes and enhanced aluminum fin construction improves heat transfer for maximum efficiency and durability for long-lasting durability and efficient operation. Indoor coils use tin-coated copper tubing with aluminum fins for effective heat transfer.
- **Heat Exchangers** - Gas heat exchangers use corrosion-resistant, stainless-steel tubular construction to provide long-life, trouble-free operation. Gas heat exchangers are offered with lifetime warranties as standard with registration.
- **Post Purge Induced Draft Combustion** - Exhausts combustion products from the heat exchanger upon completion of the heating cycle to prolong the heat exchanger life.
- **Spark To Burner Ignition** - No pilot assembly required, which provides more consistent ignition in gas heating mode. This ignition is highly reliable, durable and eliminates nuisance lockouts.
- **Multi Port In-shot Burners** - No field adjustment is required to mix the air and gas for natural gas or propane use. These burners are constructed of high-grade corrosion-resistant, aluminized steel.
- **Low Maintenance** - Long life, permanently lubricated outdoor and evaporator fan motor bearings need no annual maintenance, adding greater reliability to the unit. Slide-out blower assembly can be easily removed for cleaning.
- **Easy Service Access** - Individual access panels covering the electrical and gas controls makes servicing easy. Removing this panel will allow easy removal of the blower assembly for maintenance and ease of troubleshooting.
- **Replacement Parts** - The installer requires no special training to replace any of the components of these units and the number of new components have been reduced to minimize the inventory of unique parts.
- **Loss of Charge Switch** - All models include a loss of charge switch to provide safe shutdown of compressor.

**NOMENCLATURE**

PCG	4	A	24	50	2	X	1	A
1	2	3	4	5	6	7	8	9
<b>1. Model Family</b> PCG - packaged A/C with gas heat, PHG - packaged heat pump with gas heat, PCE - packaged A/C with electric heat, PHE - packaged heat pump with electric heat <b>2. Nominal Cooling Efficiency</b> 4 = 14 SEER, 6 = 16 SEER, etc. <b>3. Cabinet Size</b> A = small 35 x 51, B = large 45 x 51 <b>4. Nominal Air Conditioning Cooling Capacity BTUx1000</b> 24 = 24,000 BTU, etc. <b>Examples:</b> PHG4B421002X1A is a dual fuel, 14 SEER, 3-1/2 ton, large cabinet, single-stage heat, 100,000 BTU gas heat, 230 volt, single phase, low-NOx model (first generation, first release)					<b>5. Gas Heating Input BTU/Hr x 1000</b> 050 = 50,000 BTU/Hr. input, blank = electric heat <b>6. Voltage-Phase-Frequency</b> 2 = 208/230-1-60, 3=208/230-3-60, 4 = 460-3-60 <b>7. NOx Approval</b> X = low-NOx, blank = not low-NOx <b>8. Generation Level</b> 1 = first generation <b>9. Revision Level</b> A = original release, B = second release			

**COMPONENT LOCATION**



**UNIT LIMITATIONS**

Model	Unit Voltage	Unit Limitations		
		Applied Voltage		Outdoor DB Temp
		Min	Max	Max (°F)
PCG6A24	208/230-1-60	187	252	125
PCG6A30	208/230-1-60	187	252	125
PCG6B36	208/230-1-60	187	252	125
PCG6B42	208/230-1-60	187	252	125
PCG6B48	208/230-1-60	187	252	125
PCG6B60	208/230-1-60	187	252	125

## ACCESSORIES

- **Propane Conversion Kit (S1-1NP0703, S1-1NP0704)** - Kit includes burner orifices, gas valve conversion and installation instructions necessary to field convert unit from natural gas to propane.
- **Economizer for Downflow Applications (S1-2EE04710024, S1-2EE04710124)** - Modulating integrated economizer provides simultaneous operation between the mechanical cooling and economizer operation. Independent blade design ensures proper control and less than 1% leak rate. Includes hood and mesh bird screen filter integrated into the hood, dry bulb sensor and relief damper. Separate field accessories of single enthalpy and dual enthalpy are also available.
- **Economizer for Horizontal Applications (S1-2EE04710224, S1-2EE04710324)** - Modulating integrated economizer provides simultaneous operation between the mechanical cooling and economizer operation. Independent blade design ensures proper control and less than 1% leak rate. Includes hood and mesh bird screen filter integrated into the hood, dry bulb sensor and relief damper. Separate field accessories of single enthalpy and dual enthalpy are also available.
- **Single/Dual Enthalpy Sensor (S1-HE-6863-0N00WS)** - Sensor replaces dry bulb sensor standard in economizer kit. Provides improved economizer operation by sensing the dry bulb temperature from outdoors plus the enthalpy content of the outdoor air.
- **Duct/Unit Mount CO2 Kit (S1-2AQ04700924)** - Sensor kit detects CO2 levels automatically and overrides the economizer when CO2 levels rise above the preset limits.
- **Wall Mount CO2 Kit (S1-2AQ04701024)** - Sensor kit detects CO2 levels automatically and overrides the economizer when CO2 levels rise above the preset limits.
- **Supply Air Temperature Sensor Kit (S1-TE-63616E-2D)** - Outdoor supply air temperature sensor kit used with economizers.
- **Filter/Frame Kit (S1-1FF0602, S1-1FF0601)** - Kit contains the necessary hardware to field install return air filters into the base unit. The filter rack is suitable for either 1" or 2" filters.
- **Filter (S1-02647812000)** - Washable 1" filter. Two filters are required for A base units. Three filters are required for B base units.
- **Motorized Fresh Air Damper (S1-2MD04705224, S1-2MD04705124)** - Designed for duct mounted side supply/return and unit mounted down supply/return applications. Damper capable of providing 0% through 50% of outdoor air (field supplied). Closes on power loss, includes hood and screen assembly.
- **Rectangle to Round (Horizontal) Adapter (S1-1AK0110, S1-1AK0111)** - Kit includes one supply and one return air rectangle to round duct adapter. Adapters are preformed and designed to fit over current horizontal duct openings on the base unit. Transition is from rectangle to 12" round for the 1AK0110 kit and from rectangle to 14" round for the 1AK0111 kit.
- **Rectangle to Round (Downflow) Adapter (S1-1AK0108, S1-1AK0109)** - Kit includes one supply and one return air rectangle to round duct adapter. Adapters are preformed and designed to fit into current downflow duct openings on the roof curb. Transition is from rectangle to 16" round for the 1AK0108 kit and from rectangle to 18" round for the 1AK0109 kit.
- **Roof Curbs (S1-1RC0503, S1-1RC0501)** - NRCA approved curbs provide proper fit to base unit for rooftop installations. Curbs are designed to be assembled through hinge pins in each corner. Kit also provides seal strip to assure an air tight seal. These are 8 inch high roof curbs.
- **Roof Curbs (S1-1RC0504, S1-1RC0502)** - NRCA approved curbs provide proper fit to base unit for rooftop installations. Curbs are designed to be assembled through hinge pins in each corner. Kit also provides seal strip to assure an air tight seal. These are 14 inch high roof curbs.
- **Transition Curb Kits (S1-1TC01\*)** - Adapter kits to allow field use of pre-existing installed roof curbs to match PCG6\* footprint to Affinity roof curbs, Carrier, Trane, or Goodman curb footprints. Curb adapters are optional for current generation Carrier replacements but are recommended for previous generation applications. Refer to the PCG6\* price pages for more details.
- **Manual Outdoor Damper (S1-1FA0502, S1-1FA0501)** - Provides 0% through 50% outdoor air capability (field adjustable). Designed for duct mounted side supply/return applications. Includes hood and screen assembly.
- **Thermostat (S1-THXU280\*)** - Compatible thermostat controls are available through accessory sourcing. For optimum performance, these outdoor units are fully compatible with the York Hx™ Touchscreen Thermostat (S1-THXU280\*) available through Source1. For more information, see the thermostat section of the Product Equipment Catalog.
- **Wall Thermostat** - The units are designed to operate with standard, 24-volt electronic and electro-mechanical thermostats. All units can operate with a single stage heat thermostat, but requires a multistage thermostat for cooling.
- **Loss of Charge Switch (S1-2LC00024)** - Kit provides Loss of Charge Switch and wiring to provide safe shutdown of compressor.
- **Low Ambient Kit (S1-2LA04701024)** - Kit provides necessary hardware to convert unit to operate in cooling cycle down to 0° F. Standard unit operation 45° F.
- **Transformer Kit (S1-2EC06700124)** - Kit provides necessary hardware to provide single phase models from factory furnished 40 VA transformer capability to 75 VA transformer capability. (Required on installations with economizer or motorized damper).
- **Base Rail Hole Cover Kit (S1-1HC0101)** - Kit provides necessary hardware to close off openings in base rails to block off openings, i.e. prevent animal entrance.

## GUIDE SPECIFICATIONS

### GENERAL

Units shall be manufactured by Unitary Products in an ISO 9001 certified facility. Package units give you the flexibility and choices you need in today's market. These packaged cooling/heating air conditioners are designed for outdoor installation. Only utility and duct connections are required at the point of installation. The single-stage gas fired heaters have stainless steel tubular heat exchangers and spark to burner ignition. They are available in natural gas with field conversion to propane.

### DESCRIPTION

Units shall be factory-assembled, single packaged, Electric Cooling/Gas Heating units, designed for outdoor installation. For SEER ratings, refer to technical literature. They shall be built in, equal size, field convertible duct connections for supply/return or horizontal supply/return. The units shall be factory wired, piped, charged with R-410A Refrigerant and factory tested prior to shipment. All unit wiring shall be both numbered and color coded. All models shall be rated in accordance with DOE and AHRI test procedures for both heating and cooling operation. Units shall be CSA listed and classified to ANSI Z21.47/CAN/ CSA 2.3 standards and UL 1995/CAN/CSA No. 236-M90 standards.

### UNIT CABINET

Unit cabinet shall be constructed of G-90 galvanized, powder-painted steel, certified at 1000 hours salt spray test per ASTM-B117 standards. The unit top shall be a single piece design, with drip edges and no-seam corners to provide optimum water integrity. Unit shall have a rigidly mounted outdoor coil guard to provide protection from objects and personnel after installation. Indoor blower section shall be insulated with foil-faced or foam insulation, fastened to prevent insulation from entering the air stream. Cabinet panels shall be separate, easily removable for servicing and maintenance. Unit shall be built on a formed, design base pan, with embossments at critical points to add strength and rigidity and to aid in minimizing sound. Full perimeter base rails shall be provided to assure reliable transit of equipment, overhead rigging, for truck access and proper sealing on roof curb applications. Base rails shall be easily removable, when required to lower unit height. Filters shall be field installed, furnished and be accessible through a removable access door, sealed airtight. Units vertical discharge and return duct configuration shall be designed to fit between standard 24" O.C. beams without modification to building structure, duct work and base unit. Condensate pan shall be internally sloped and conform to ASHRAE 62-89 self-draining standards, with 3/4" NPT female ridged mount connection.

**Indoor Blower Assembly** - Fan shall be direct drive design. Fan wheel shall be double-inlet type with forward-curved blades, dynamically balanced to operate smoothly throughout the entire range of operation. Airflow design shall be constant air volume. Bearings shall be sealed and permanently lubricated for longer life and no maintenance. Fan assembly shall be a slide-out design for easy removal and cleaning. Indoor blower motors shall be equipped with a standard high efficiency brushless DC motor (constant torque) also known as a standard ECM motor.

**Outdoor Fan Assembly** - The outdoor fan shall be of the direct-driven propeller type, discharge air vertically, have aluminum blades riveted to corrosion resistant steel spider bracket and shall be statically balanced for smooth operation. The outdoor fan motor shall be totally enclosed with permanently lubricated bearings and internally protected against overload conditions.

### REFRIGERANT COMPONENTS

#### **Compressors:**

- Shall be fully hermetic type, direct drive, internally protected with internal high-pressure relief and over temperature protection. The hermetic motor shall be suction gas cooled and have a voltage range of +/- 10% of the unit nameplate voltage.
- Shall have internal isolation and sound muffling to minimize vibration and noise, and be externally isolated on a dedicated, independent mounting.

#### **Coils:**

- Indoor coils shall have aluminum plate fins mechanically bonded to seamless internally enhanced tin-coated copper tubes with all joints brazed.
- Indoor coil shall be of the direct expansion, draw through design.
- Outdoor coils shall have aluminum plate fins mechanically bonded to seamless internally enhanced copper tubes with all joints brazed.
- Outdoor coil shall be draw through design.

#### **Refrigerant Circuit and Refrigerant Safety Components shall include:**

- Thermal expansion devices (TXVs) shall be factory mounted and provided.
- Filter/strainer to eliminate any foreign matter.

### GAS HEATING SECTION (If Equipped)

Heat exchanger and exhaust system shall be constructed of corrosion-resistant materials and shall be designed with induced draft combustion with post purge logic and redundant main gas valve. The heat exchanger shall be of the tubular type, constructed of stainless steel for corrosion resistance and allowing minimum mixed air entering temperature of 40 °F. Burners shall be of the in-shot type, constructed of aluminumized steel. All gas piping shall enter the unit cabinet at a single location through either the side or bottom, without any field modifications. An integrated control board shall provide timed control of indoor fan functioning and burner ignition. Heating section shall be provided with the following minimum protection:

- Primary high-temperature limit switch.
- Induced draft pressure switch.
- Flame roll out switch(s) (manual reset).
- Flame proving controls.

All gas heat models will meet the California requirement for emissions of less than 40 nanograms per Joule (California requirement on single phase models only).

**PHYSICAL DATA**

<b>MODELS:</b>	<b>PCG6A24</b>		<b>PCG6A30</b>		<b>PCG6B36</b>		<b>PCG6B42</b>		<b>PCG6B48</b>			<b>PCG6B60</b>		
<b>NOMINAL TONNAGE:</b>	<b>2.0</b>		<b>2.5</b>		<b>3.0</b>		<b>3.5</b>		<b>4.0</b>			<b>5.0</b>		
<b>AHRI Cooling Performance</b>														
Gross Capacity @ AHRI A point (MBH)	24.6		30.7		36.5		43.3		49.1			60.0		
AHRI net capacity (MBH)	24.0		30.0		36.0		42.5		45.5			58.0		
EER	12.5		12.5		12.5		12.5		12.0			12.0		
SEER	16.0		16.0		16.0		16.0		16.0			16.0		
Nominal CFM	800		1000		1200		1400		1600			2000		
System power (KW)	2.0		2.4		3.0		3.4		3.6			4.6		
Refrigerant type	R410A		R410A		R410A		R410A		R410A			R410A		
Refrigerant charge (lb-oz)	6-8		8-2		11-8		11-4		13-8			14-0		
<b>AHRI Gas Heat Performance</b>														
Heating model	50	75	50	75	65	100	65	100	65	100	125	65	100	125
Heat input - High Fire (KBtu)	50	75	50	75	65	100	65	100	65	100	125	65	100	125
Heat output - High Fire (KBtu)	40	60	40	60	52	80	52	80	52	80	101	52	80	101
Heat input - Low Fire (KBtu)	33	49	33	49	43	65	43	65	43	65	82	43	65	82
Heat output - Low Fire (KBtu)	26	39	26	39	34	53	34	53	34	53	66	34	53	66
AFUE%	81.0	81.0	81.0	81.0	81.0	81.0	81.0	81.0	81.0	81.0	81.0	81.0	81.0	81.0
No. burners	2	3	2	3	2	3	2	3	2	3	4	2	3	4
No. stages	2	2	2	2	2	2	2	2	2	2	2	2	2	2
Temperature Rise Range - High Fire (°F)	40-70		40-70		40-70		40-70		40-70			40-70		
Temperature Rise Range - Low Fire (°F)	20-50		20-50		25-55		25-55		25-55			25-55		
Max. Static Pressure w.c.	0.5		0.5		0.5		0.5		0.5			0.5		
Max. Outlet Air Temp. (°F)	180		180		180		180		180			180		
Gas piping connection (in.)	1/2		1/2		1/2		1/2		1/2			1/2		
<b>Dimensions (inches)</b>														
Length	51-1/4		51-1/4		51-1/4		51-1/4		51-1/4			51-1/4		
Width	35-3/4		35-3/4		45-3/4		45-3/4		45-3/4			45-3/4		
Height	47		47		49		49		53			55		
<b>Compressor</b>														
Type	Scroll		Scroll		Scroll		Scroll		Scroll			Scroll		
Stages	2		2		2		2		2			2		
<b>Condenser Coil Data</b>														
Face area (Sq. Ft.)	15.1		15.1		19.5		19.5		23.8			25.9		
Rows	1		2		2		2		2			2		
Fins per inch	22		22		22		22		22			22		
Tube diameter	3/8		3/8		3/8		3/8		3/8			3/8		
Circuitry Type	Interlaced		Interlaced		Interlaced		Interlaced		Interlaced			Interlaced		
<b>Evaporator Coil Data</b>														
Face area (Sq. Ft.)	4.6		4.6		6.3		6.3		6.3			6.3		
Rows	3		3		3		3		3			4		
Fins per inch	16		16		16		16		16			16		
Tube diameter	3/8		3/8		3/8		3/8		3/8			3/8		
Circuitry Type	Interlaced		Interlaced		Interlaced		Interlaced		Interlaced			Interlaced		
Refrigerant control	TXV		TXV		TXV		TXV		TXV			TXV		
<b>Condenser Fan Data</b>														
Fan diameter (Inch)	24		24		26		26		26			26		
Type	Prop		Prop		Prop		Prop		Prop			Prop		
Drive type	Direct		Direct		Direct		Direct		Direct			Direct		
No. speeds	1		1		1		1		1			1		
Motor HP each	1/10		1/8		1/3		1/3		1/3			1/3		
RPM	850		850		850		850		850			850		
Nominal total CFM	2400		2400		3200		3200		3200			3200		
<b>Direct Drive Evaporator Fan Data</b>														
Fan Size (Inch)	11 x 8		11 x 8		11 x 10		11 x 10		11 x 10			11 x 10		
Type	Centrifugal		Centrifugal		Centrifugal		Centrifugal		Centrifugal			Centrifugal		
Motor HP each	1/3	1/2	1/3	1/2	1/2	3/4	3/4		3/4			1		
RPM	1200 Max		1200 Max		1200 Max		1200 Max		1200 Max			1200 Max		
Frame size	48		48		48		48		48			48		
<b>Filters</b>														
Filter Size	A		A		B		B		B			B		
Quantity - Size	Field-supplied external filters must be sized so as not to exceed 300 fpm air velocity through disposable filters. For internal filter use, a filter rack kit is available. Consult the instructions supplied with that kit for replacement filter sizes. Filter sizes: A=20x20, B=20x30.													

COOLING PERFORMANCE DATA - 2 TON (LOW SPEED)																
PACKAGED UNIT MODEL NO. PCG6A24																
CONDENSER ENTERING AIR TEMPERATURE	ID CFM	400					550					700				
		IDDB	80	80	75	80	80	80	80	80	80	80	80	80	80	80
		IDWB	57	62	62	67	72	57	62	62	67	72	57	62	62	67
55 / 45	T.C.	16.4	19.6	18.7	21.6	23.6	18.8	21.6	20.9	23.5	25.4	21.3	23.6	23.1	25.5	27.1
	S.C.	16.3	14.8	12.9	12.9	10.7	18.8	18.0	15.3	15.1	12.1	21.2	21.2	17.7	17.3	13.5
	K.W.	0.66	0.64	0.65	0.63	0.63	0.62	0.61	0.61	0.60	0.60	0.57	0.57	0.57	0.57	0.57
65 / 55	T.C.	15.7	18.5	17.8	20.3	22.6	17.9	20.2	19.6	22.2	24.4	20.1	21.9	21.5	24.1	26.2
	S.C.	15.7	14.3	12.3	12.3	10.2	17.9	17.3	14.6	14.5	11.7	20.1	20.3	16.9	16.7	13.1
	K.W.	0.75	0.74	0.74	0.73	0.72	0.71	0.70	0.70	0.69	0.68	0.67	0.67	0.67	0.66	0.65
75 / 63	T.C.	15.1	17.3	16.9	19.0	21.6	17.0	18.7	18.4	20.9	23.4	19.0	20.1	19.8	22.7	25.3
	S.C.	15.0	13.8	11.8	11.7	9.8	17.0	16.6	14.0	14.0	11.2	19.0	19.4	16.2	16.2	12.7
	K.W.	0.84	0.83	0.83	0.82	0.81	0.80	0.80	0.79	0.78	0.77	0.76	0.76	0.76	0.75	0.73
85 / 69	T.C.	14.1	16.0	15.6	17.5	19.6	15.9	17.3	16.9	19.0	21.2	17.8	18.6	18.2	20.5	22.8
	S.C.	14.0	13.1	11.1	11.1	9.0	15.9	15.7	13.2	13.3	10.4	17.7	18.2	15.4	15.4	11.8
	K.W.	0.96	0.95	0.95	0.94	0.94	0.92	0.92	0.91	0.90	0.90	0.88	0.88	0.88	0.86	0.86
95 / 75	T.C.	13.0	14.7	14.4	16.0	17.7	14.8	15.9	15.4	17.2	19.0	16.5	17.1	16.5	18.4	20.2
	S.C.	13.0	12.4	10.4	10.6	8.1	14.7	14.7	12.4	12.6	9.6	16.4	17.1	14.5	14.6	11.0
	K.W.	1.08	1.08	1.08	1.06	1.07	1.04	1.04	1.04	1.02	1.03	1.00	1.00	1.00	0.98	1.00
105 / 83	T.C.	12.0	13.1	12.8	14.6	15.8	13.5	14.3	13.7	15.6	17.0	15.0	15.5	14.5	16.5	18.1
	S.C.	12.0	11.4	9.6	9.8	7.3	13.5	13.3	11.4	11.8	8.7	15.0	15.1	13.2	13.8	10.0
	K.W.	1.26	1.25	1.25	1.23	1.23	1.21	1.20	1.21	1.19	1.20	1.17	1.16	1.17	1.15	1.17
115 / 89	T.C.	11.0	11.6	11.4	13.3	14.0	12.3	12.8	12.0	14.0	15.0	13.6	13.9	12.6	14.7	16.0
	S.C.	11.0	10.5	8.8	9.1	6.5	12.3	11.8	10.4	11.0	7.8	13.5	13.2	11.9	12.9	9.0
	K.W.	1.42	1.41	1.41	1.39	1.40	1.37	1.37	1.37	1.35	1.37	1.33	1.32	1.33	1.32	1.33
125 / 95	T.C.	10.0	10.1	9.9	11.9	12.1	11.1	11.2	10.3	12.4	13.0	12.1	12.3	10.7	12.8	14.0
	S.C.	10.0	9.6	8.0	8.4	5.7	11.0	10.4	9.4	10.2	6.9	12.1	11.3	10.7	12.1	8.1
	K.W.	1.59	1.58	1.58	1.55	1.56	1.54	1.53	1.54	1.52	1.53	1.49	1.48	1.50	1.48	1.50

COOLING PERFORMANCE DATA - 2 TON (HIGH SPEED)																
PACKAGED UNIT MODEL NO. PCG6A24																
CONDENSER ENTERING AIR TEMPERATURE	ID CFM	600					800					1000				
		IDDB	80	80	75	80	80	80	80	80	80	80	80	80	80	80
		IDWB	57	62	62	67	72	57	62	62	67	72	57	62	62	67
55 / 45	T.C.	26.0	28.6	28.4	30.0	31.7	28.0	29.9	29.7	31.2	33.3	30.1	31.2	30.9	32.5	34.9
	S.C.	25.3	22.1	18.7	18.3	14.8	27.3	24.9	21.1	20.5	16.2	29.3	27.8	23.5	22.6	17.6
	K.W.	1.27	1.29	1.29	1.30	1.32	1.25	1.26	1.26	1.28	1.30	1.24	1.24	1.24	1.25	1.27
65 / 55	T.C.	24.5	26.7	27.1	28.5	30.4	26.5	28.1	28.3	29.9	31.8	28.5	29.5	29.5	31.4	33.2
	S.C.	23.9	21.2	18.1	17.7	14.3	26.0	24.3	20.5	19.9	15.7	28.1	27.4	22.9	22.2	17.2
	K.W.	1.41	1.43	1.42	1.44	1.47	1.40	1.40	1.40	1.42	1.44	1.38	1.38	1.38	1.40	1.42
75 / 63	T.C.	23.0	24.7	25.8	27.1	29.2	24.9	26.2	26.9	28.7	30.3	26.9	27.7	28.1	30.3	31.5
	S.C.	22.4	20.3	17.6	17.1	13.8	24.6	23.7	20.0	19.4	15.2	26.8	27.0	22.4	21.7	16.7
	K.W.	1.56	1.57	1.56	1.58	1.61	1.55	1.55	1.54	1.56	1.59	1.53	1.52	1.52	1.54	1.57
85 / 69	T.C.	21.5	23.1	23.7	25.6	27.2	23.4	24.6	25.0	27.0	28.5	25.3	26.0	26.2	28.4	29.8
	S.C.	21.0	19.6	16.6	16.5	13.1	23.0	22.5	19.2	18.8	14.5	25.0	25.4	21.8	21.1	15.9
	K.W.	1.75	1.76	1.75	1.77	1.80	1.73	1.74	1.73	1.75	1.78	1.72	1.71	1.70	1.73	1.76
95 / 75	T.C.	20.1	21.5	21.6	24.2	25.3	21.9	22.9	23.0	25.4	26.7	23.7	24.3	24.4	26.6	28.2
	S.C.	19.6	18.8	15.6	15.8	12.5	21.4	21.2	18.4	18.2	13.8	23.1	23.7	21.1	20.6	15.1
	K.W.	1.94	1.95	1.94	1.96	2.00	1.92	1.93	1.91	1.94	1.98	1.91	1.91	1.88	1.92	1.96
105 / 83	T.C.	18.5	19.7	19.4	21.9	23.2	19.7	20.7	20.4	22.6	24.3	21.0	21.7	21.4	23.3	25.5
	S.C.	18.1	17.8	14.5	14.8	11.6	19.3	19.5	16.8	17.0	12.8	20.4	21.1	19.1	19.2	14.0
	K.W.	2.22	2.22	2.21	2.23	2.27	2.20	2.20	2.18	2.21	2.25	2.18	2.18	2.16	2.19	2.23
115 / 89	T.C.	17.0	18.0	17.3	19.7	21.1	17.6	18.6	17.9	19.9	22.0	18.3	19.1	18.5	20.0	22.9
	S.C.	16.6	16.9	13.5	13.8	10.6	17.2	17.8	15.3	15.8	11.8	17.8	18.6	17.1	17.8	13.1
	K.W.	2.49	2.48	2.47	2.50	2.53	2.46	2.46	2.45	2.47	2.52	2.44	2.44	2.42	2.45	2.50
125 / 95	T.C.	15.5	16.3	15.2	17.5	19.1	15.5	16.5	15.4	17.1	19.7	15.5	16.6	15.5	16.8	20.4
	S.C.	15.1	15.9	12.4	12.8	9.7	15.1	16.0	13.8	14.6	10.9	15.2	16.2	15.2	16.4	12.1
	K.W.	2.76	2.75	2.74	2.76	2.80	2.73	2.73	2.71	2.73	2.78	2.70	2.71	2.68	2.71	2.77

COOLING PERFORMANCE DATA - 2.5 TON (LOW SPEED)																
PACKAGED UNIT MODEL NO. PCG6A30																
CONDENSER ENTERING AIR TEMPERATURE	ID CFM	550					750					950				
	IDDB	80	80	75	80	80	80	80	75	80	80	80	80	75	80	80
	IDWB	57	62	62	67	72	57	62	62	67	72	57	62	62	67	72
55 / 45	T.C.	21.3	24.1	24.3	26.9	28.5	24.0	26.2	26.1	28.7	30.6	26.7	28.3	27.9	30.6	32.6
	S.C.	21.1	19.0	16.2	16.5	13.2	23.7	22.5	18.9	19.0	14.7	26.4	26.0	21.6	21.4	16.1
	K.W.	1.12	1.10	1.10	1.09	1.08	1.10	1.10	1.10	1.08	1.08	1.09	1.09	1.09	1.08	1.08
65 / 55	T.C.	19.6	22.2	22.5	24.9	27.1	21.9	24.0	24.1	26.7	29.2	24.3	25.9	25.7	28.5	31.4
	S.C.	19.4	17.9	15.3	15.6	12.6	21.7	21.2	17.8	18.1	14.1	24.0	24.6	20.4	20.5	15.7
	K.W.	1.28	1.27	1.27	1.25	1.24	1.26	1.26	1.26	1.24	1.24	1.24	1.24	1.24	1.23	1.23
75 / 63	T.C.	17.9	20.3	20.6	23.0	25.6	19.9	21.9	22.0	24.7	27.8	21.9	23.4	23.4	26.4	30.1
	S.C.	17.7	16.7	14.3	14.7	12.0	19.6	19.9	16.8	17.2	13.6	21.6	23.2	19.2	19.6	15.3
	K.W.	1.44	1.43	1.43	1.40	1.40	1.42	1.41	1.41	1.40	1.40	1.40	1.40	1.40	1.39	1.39
85 / 69	T.C.	17.1	18.8	19.0	21.5	23.6	18.5	19.9	20.3	22.9	25.8	19.9	21.0	21.5	24.2	27.9
	S.C.	16.9	16.0	13.6	13.8	11.1	18.3	18.4	15.9	16.1	12.6	19.7	20.8	18.1	18.3	14.1
	K.W.	1.64	1.63	1.63	1.61	1.62	1.62	1.62	1.62	1.60	1.62	1.60	1.61	1.61	1.59	1.61
95 / 75	T.C.	16.3	17.3	17.5	19.9	21.7	17.1	17.9	18.5	21.0	23.8	18.0	18.6	19.6	22.1	25.8
	S.C.	16.1	15.3	12.9	12.9	10.2	17.0	16.9	15.0	15.0	11.6	17.8	18.4	17.0	17.1	12.9
	K.W.	1.85	1.84	1.84	1.82	1.84	1.83	1.83	1.83	1.81	1.83	1.81	1.82	1.82	1.80	1.83
105 / 83	T.C.	14.3	15.2	15.4	17.5	19.7	14.9	15.7	16.2	18.3	21.3	15.5	16.2	17.0	19.0	22.9
	S.C.	14.1	13.8	11.9	11.9	9.3	14.7	14.9	13.6	13.8	10.6	15.3	16.0	15.2	15.7	11.9
	K.W.	2.14	2.13	2.13	2.12	2.13	2.12	2.12	2.12	2.10	2.13	2.10	2.11	2.11	2.09	2.13
115 / 89	T.C.	12.3	13.1	13.4	15.2	17.7	12.7	13.5	13.9	15.6	18.8	13.0	13.9	14.4	16.0	20.0
	S.C.	12.2	12.4	11.0	11.0	8.5	12.5	13.1	12.2	12.7	9.7	12.9	13.7	13.5	14.3	10.9
	K.W.	2.43	2.42	2.41	2.40	2.42	2.40	2.40	2.40	2.39	2.42	2.38	2.38	2.39	2.37	2.41
125 / 95	T.C.	10.4	11.0	11.3	12.8	15.7	10.5	11.3	11.6	12.9	16.4	10.6	11.6	11.9	13.1	17.1
	S.C.	10.2	10.9	10.0	10.1	7.6	10.4	11.2	10.9	11.5	8.7	10.5	11.5	11.7	12.9	9.9
	K.W.	2.71	2.71	2.70	2.69	2.71	2.69	2.69	2.69	2.67	2.70	2.66	2.66	2.67	2.66	2.70

COOLING PERFORMANCE DATA - 2.5 TON (HIGH SPEED)																
PACKAGED UNIT MODEL NO. PCG6A30																
CONDENSER ENTERING AIR TEMPERATURE	ID CFM	750					950					1150				
	IDDB	80	80	75	80	80	80	80	75	80	80	80	80	75	80	80
	IDWB	57	62	62	67	72	57	62	62	67	72	57	62	62	67	72
55 / 45	T.C.	31.5	35.1	34.4	39.1	42.4	34.1	37.4	36.7	40.7	44.1	36.8	39.7	38.9	42.3	45.7
	S.C.	31.2	27.4	24.0	24.4	19.6	33.8	31.2	26.8	26.6	20.8	36.4	34.9	29.5	28.9	21.9
	K.W.	1.63	1.64	1.64	1.68	1.69	1.73	1.74	1.73	1.76	1.78	1.82	1.84	1.82	1.85	1.86
65 / 55	T.C.	29.3	33.1	32.4	36.7	40.8	31.7	35.0	34.4	38.4	42.6	34.2	36.9	36.4	40.0	44.4
	S.C.	29.0	26.1	22.7	23.0	18.7	31.4	29.6	25.2	25.3	20.1	33.9	33.0	27.7	27.6	21.5
	K.W.	1.81	1.83	1.83	1.86	1.88	1.91	1.92	1.91	1.94	1.97	2.00	2.01	2.00	2.03	2.06
75 / 63	T.C.	27.1	31.0	30.4	34.4	39.2	29.3	32.6	32.1	36.0	41.2	31.6	34.1	33.9	37.6	43.1
	S.C.	26.8	24.8	21.3	21.6	17.9	29.1	27.9	23.6	23.9	19.4	31.3	31.1	26.0	26.3	21.0
	K.W.	1.98	2.01	2.01	2.03	2.07	2.08	2.10	2.10	2.12	2.16	2.18	2.18	2.18	2.21	2.26
85 / 69	T.C.	25.8	28.8	28.4	32.0	36.6	27.5	30.0	29.8	33.4	38.4	29.3	31.1	31.1	34.8	40.2
	S.C.	25.5	23.6	20.2	20.4	16.9	27.2	26.6	22.4	22.7	18.3	29.0	29.5	24.6	25.0	19.7
	K.W.	2.22	2.25	2.24	2.27	2.31	2.32	2.33	2.33	2.36	2.40	2.42	2.42	2.42	2.45	2.49
95 / 75	T.C.	24.5	26.6	26.4	29.7	34.1	25.7	27.4	27.4	30.8	35.6	26.9	28.2	28.3	31.9	37.2
	S.C.	24.2	22.4	19.1	19.2	15.8	25.4	25.2	21.2	21.5	17.1	26.6	27.9	23.2	23.8	18.3
	K.W.	2.46	2.49	2.47	2.51	2.55	2.56	2.57	2.56	2.60	2.64	2.65	2.65	2.65	2.69	2.73
105 / 83	T.C.	22.3	23.9	23.8	26.7	30.7	23.1	24.3	24.4	27.5	31.8	23.8	24.8	24.9	28.3	33.0
	S.C.	22.1	21.0	17.9	18.0	14.5	22.8	22.8	19.7	20.2	15.7	23.6	24.6	21.5	22.3	16.8
	K.W.	2.81	2.83	2.82	2.85	2.89	2.91	2.92	2.91	2.94	2.98	3.01	3.01	3.00	3.03	3.07
115 / 89	T.C.	20.2	21.2	21.3	23.7	27.4	20.5	21.4	21.5	24.2	28.1	20.8	21.6	21.6	24.7	28.9
	S.C.	20.0	19.7	16.6	16.8	13.2	20.3	20.5	18.2	18.9	14.3	20.6	21.3	19.8	21.0	15.4
	K.W.	3.16	3.17	3.16	3.19	3.22	3.25	3.26	3.24	3.27	3.31	3.35	3.35	3.33	3.36	3.40
125 / 95	T.C.	18.0	18.5	18.8	20.8	24.1	18.0	18.4	18.5	21.0	24.5	17.9	18.3	18.3	21.1	24.9
	S.C.	17.9	18.3	15.4	15.5	11.9	17.8	18.2	16.8	17.6	12.9	17.7	18.1	18.1	19.6	14.0
	K.W.	3.50	3.51	3.50	3.52	3.56	3.59	3.60	3.58	3.60	3.65	3.69	3.69	3.66	3.69	3.74





<b>COOLING PERFORMANCE DATA - 3.5 TON (LOW SPEED)</b>																
<b>PACKAGED UNIT MODEL NO. PCG6B42</b>																
CONDENSER ENTERING AIR TEMPERATURE	ID CFM	800					1000					1200				
	IDDB	80	80	75	80	80	80	80	75	80	80	80	80	75	80	80
	IDWB	57	62	62	67	72	57	62	62	67	72	57	62	62	67	72
55 / 45	T.C.	30.2	33.8	24.4	36.3	39.4	33.3	36.0	26.3	37.9	40.4	36.4	38.2	28.1	39.5	41.3
	S.C.	29.7	26.3	23.9	21.8	18.2	32.0	29.6	25.8	23.8	19.3	34.4	32.8	27.6	25.9	20.4
	K.W.	0.97	0.96	0.93	0.98	0.98	0.97	0.97	0.94	1.00	1.00	0.97	0.97	0.94	1.01	1.01
65 / 55	T.C.	27.7	32.0	23.2	34.8	37.3	30.3	34.0	25.4	36.6	38.9	32.8	36.0	27.6	38.4	40.6
	S.C.	27.3	25.4	22.6	21.3	17.5	29.5	28.7	24.7	23.6	19.0	31.7	31.9	26.8	25.9	20.5
	K.W.	1.13	1.11	1.09	1.14	1.10	1.13	1.12	1.09	1.15	1.11	1.12	1.13	1.09	1.15	1.13
75 / 63	T.C.	25.2	30.1	22.1	33.3	35.1	27.2	32.0	24.6	35.3	37.5	29.2	33.9	27.1	37.3	40.0
	S.C.	25.0	24.5	21.2	20.9	16.9	27.0	27.8	23.6	23.5	18.7	29.0	31.1	26.0	26.0	20.5
	K.W.	1.29	1.26	1.25	1.29	1.22	1.28	1.27	1.24	1.30	1.23	1.27	1.28	1.24	1.30	1.25
85 / 69	T.C.	22.4	27.0	21.1	31.1	34.4	24.1	29.0	23.5	33.0	35.8	25.9	31.0	26.0	34.9	37.2
	S.C.	22.2	22.4	20.2	19.6	16.0	23.9	25.8	22.5	22.2	17.6	25.7	29.1	24.8	24.8	19.3
	K.W.	1.48	1.47	1.45	1.49	1.43	1.48	1.48	1.45	1.49	1.44	1.48	1.49	1.45	1.50	1.45
95 / 75	T.C.	19.6	23.9	20.1	28.9	33.8	21.0	26.0	22.5	30.7	34.1	22.5	28.2	24.8	32.5	34.4
	S.C.	19.4	20.3	19.2	18.3	15.0	20.9	23.7	21.4	21.0	16.5	22.3	27.1	23.6	23.7	18.0
	K.W.	1.67	1.68	1.66	1.68	1.63	1.69	1.69	1.66	1.69	1.64	1.70	1.70	1.66	1.70	1.65
105 / 83	T.C.	17.0	20.4	18.8	25.0	29.8	18.6	22.2	21.1	27.0	31.3	20.2	23.9	23.4	29.0	32.9
	S.C.	16.8	18.0	17.9	17.6	13.4	18.4	20.6	20.0	20.2	14.9	20.0	23.2	22.1	22.7	16.3
	K.W.	1.94	1.94	1.92	1.94	1.90	1.95	1.95	1.92	1.95	1.91	1.96	1.96	1.93	1.95	1.92
115 / 89	T.C.	14.5	17.0	17.5	21.2	25.8	16.2	18.4	19.8	23.4	28.7	18.0	19.8	22.0	25.6	31.5
	S.C.	14.4	15.8	16.6	17.0	11.9	16.1	17.6	18.6	19.3	13.3	17.8	19.4	20.7	21.7	14.7
	K.W.	2.19	2.20	2.17	2.19	2.16	2.20	2.20	2.18	2.20	2.17	2.21	2.21	2.19	2.20	2.18
125 / 95	T.C.	12.0	13.6	16.2	17.4	21.9	13.9	14.7	18.5	19.8	26.0	15.8	15.8	20.7	22.1	30.1
	S.C.	11.9	13.5	15.3	16.3	10.3	13.7	14.6	17.3	18.5	11.7	15.6	15.6	19.3	20.8	13.1
	K.W.	2.45	2.45	2.42	2.44	2.42	2.46	2.46	2.44	2.45	2.43	2.47	2.47	2.46	2.45	2.44

<b>COOLING PERFORMANCE DATA - HIGH - 3.5 TON (HIGH SPEED)</b>																
<b>PACKAGED UNIT MODEL NO. PCG6B42</b>																
CONDENSER ENTERING AIR TEMPERATURE	ID CFM	1120					1320					1520				
	IDDB	80	80	75	80	80	80	80	75	80	80	80	80	75	80	80
	IDWB	57	62	62	67	72	57	62	62	67	72	57	62	62	67	72
55 / 45	T.C.	43.6	47.7	30.8	50.0	55.0	45.8	49.6	31.8	51.4	55.8	48.1	51.4	32.8	52.8	56.7
	S.C.	41.7	36.8	29.9	30.0	23.2	43.7	39.6	30.9	31.2	23.8	45.8	42.4	31.9	32.3	24.5
	K.W.	2.19	2.22	2.17	2.16	2.16	2.29	2.30	2.26	2.22	2.21	2.39	2.39	2.36	2.27	2.26
65 / 55	T.C.	39.9	45.2	31.1	49.1	53.4	41.9	47.2	32.4	50.5	55.0	44.0	49.3	33.6	51.8	56.7
	S.C.	38.6	35.7	29.9	29.6	23.2	40.5	38.8	31.2	31.1	24.3	42.5	41.8	32.4	32.6	25.4
	K.W.	2.44	2.46	2.43	2.42	2.46	2.54	2.56	2.53	2.48	2.54	2.64	2.65	2.64	2.54	2.61
75 / 63	T.C.	36.1	42.7	31.4	48.3	51.8	38.0	44.9	33.0	49.6	54.2	39.9	47.1	34.5	50.8	56.6
	S.C.	35.5	34.6	29.9	29.2	23.2	37.3	37.9	31.4	31.1	24.8	39.2	41.2	33.0	32.9	26.4
	K.W.	2.68	2.71	2.69	2.67	2.77	2.79	2.81	2.80	2.74	2.86	2.90	2.91	2.91	2.80	2.95
85 / 69	T.C.	33.3	39.4	30.5	45.2	49.9	35.2	41.2	32.4	46.2	52.0	37.0	42.9	34.3	47.3	54.0
	S.C.	32.8	33.0	29.0	27.8	22.0	34.5	35.3	30.8	30.0	23.4	36.3	37.6	32.7	32.2	24.8
	K.W.	3.02	3.03	3.05	3.04	3.09	3.12	3.13	3.16	3.12	3.18	3.22	3.22	3.26	3.20	3.28
95 / 75	T.C.	30.5	36.0	29.7	42.0	48.0	32.3	37.4	31.9	42.9	49.7	34.1	38.8	34.1	43.8	51.4
	S.C.	30.0	31.4	28.1	26.4	20.9	31.7	32.7	30.2	29.0	22.1	33.5	34.0	32.4	31.6	23.3
	K.W.	3.35	3.35	3.40	3.41	3.41	3.45	3.45	3.51	3.50	3.51	3.54	3.54	3.61	3.59	3.60
105 / 83	T.C.	27.9	32.6	28.2	38.0	44.3	29.5	33.5	30.4	38.7	45.5	31.0	34.4	32.5	39.4	46.8
	S.C.	27.5	29.1	26.6	24.7	19.2	29.0	30.1	28.7	27.1	20.3	30.5	31.0	30.7	29.5	21.5
	K.W.	3.81	3.81	3.87	3.82	3.86	3.90	3.90	3.97	3.90	3.96	4.00	4.00	4.07	3.97	4.05
115 / 89	T.C.	25.4	29.3	26.8	34.1	40.6	26.7	29.7	28.9	34.7	41.5	28.0	30.1	31.0	35.2	42.4
	S.C.	25.0	26.9	25.1	23.0	17.6	26.3	27.6	27.2	25.2	18.6	27.5	28.2	29.2	27.4	19.7
	K.W.	4.25	4.25	4.32	4.21	4.30	4.35	4.34	4.42	4.28	4.39	4.44	4.44	4.52	4.35	4.49
125 / 95	T.C.	22.9	25.9	25.4	30.3	37.0	24.0	25.9	27.4	30.6	37.5	25.1	25.8	29.5	30.9	37.9
	S.C.	22.5	24.7	23.7	21.3	15.9	23.6	25.1	25.6	23.4	17.0	24.6	25.4	27.6	25.4	18.0
	K.W.	4.69	4.69	4.78	4.61	4.74	4.79	4.78	4.87	4.67	4.83	4.89	4.88	4.97	4.73	4.93

**COOLING PERFORMANCE DATA - 4 TON (LOW SPEED)**

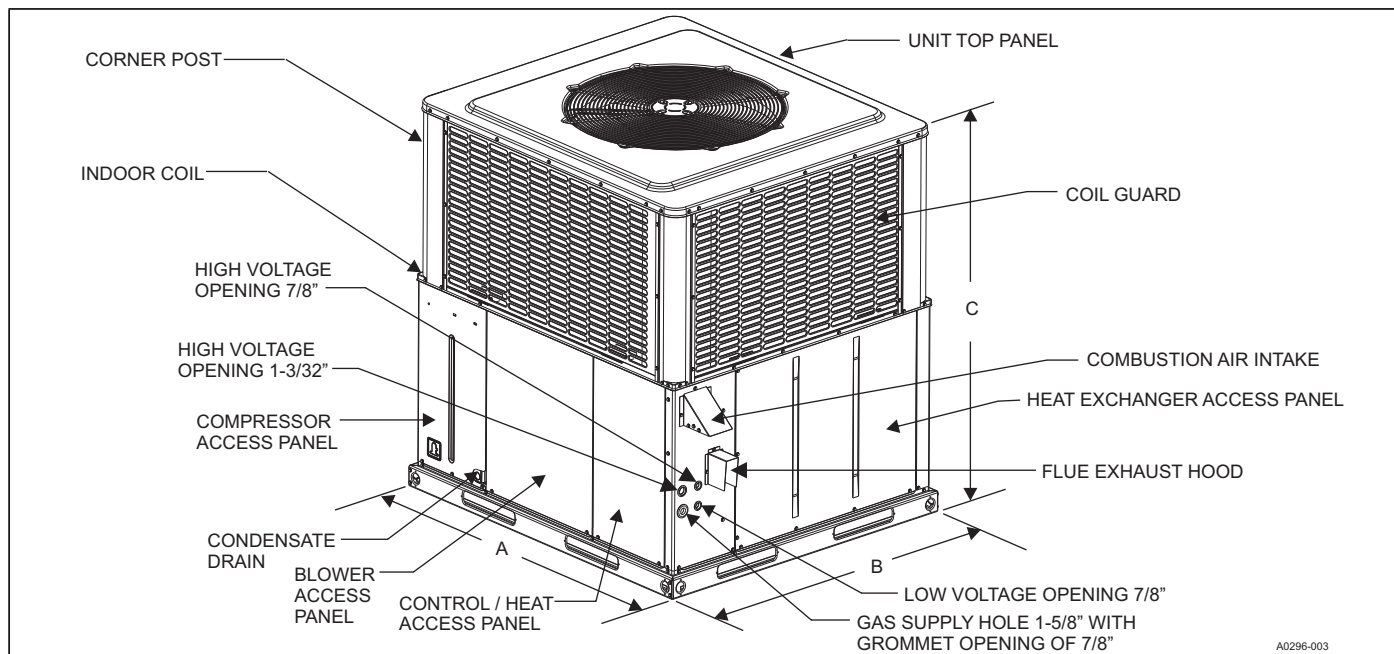
PACKAGED UNIT MODEL NO. PCG6B48																
CONDENSER ENTERING AIR TEMPERATURE	ID CFM	900					1100					1300				
	IDDB	80	80	75	80	80	80	80	75	80	80	80	80	75	80	80
	IDWB	57	62	62	67	72	57	62	62	67	72	57	62	62	67	72
55 / 45	T.C.	34.3	37.4	36.3	41.1	45.6	37.5	39.7	38.7	43.6	48.0	40.6	42.1	41.1	46.2	50.3
	S.C.	32.3	28.7	24.7	24.9	20.0	34.8	32.1	27.2	27.2	21.8	37.4	35.5	29.8	29.6	23.6
	K.W.	1.67	1.64	1.65	1.63	1.49	1.63	1.61	1.62	1.59	1.52	1.58	1.58	1.58	1.56	1.55
65 / 55	T.C.	32.4	34.5	34.1	38.7	43.8	35.2	36.8	36.6	41.0	46.2	38.1	39.1	39.1	43.3	48.7
	S.C.	30.4	27.4	21.0	23.5	18.9	32.8	30.2	23.2	25.8	20.7	35.1	33.0	25.3	28.1	22.5
	K.W.	1.86	1.83	1.85	1.79	1.73	1.85	1.83	1.84	1.82	1.76	1.84	1.82	1.83	1.84	1.79
75 / 63	T.C.	30.4	31.6	32.0	36.3	42.0	33.0	33.9	34.5	38.4	44.5	35.5	36.2	37.1	40.4	47.0
	S.C.	28.6	26.0	17.4	22.1	17.8	30.7	28.2	19.1	24.4	19.6	32.9	30.5	20.8	26.6	21.5
	K.W.	2.05	2.03	2.04	1.96	1.97	2.07	2.05	2.06	2.05	2.01	2.10	2.06	2.08	2.13	2.04
85 / 69	T.C.	27.3	29.1	28.2	34.0	39.1	29.4	31.1	29.9	35.7	41.2	31.4	33.0	31.6	37.5	43.4
	S.C.	26.2	23.9	18.1	20.8	16.5	28.0	26.6	19.9	22.9	18.0	29.9	29.3	21.8	25.1	19.5
	K.W.	2.39	2.36	2.43	2.37	2.30	2.41	2.38	2.42	2.39	2.33	2.43	2.41	2.41	2.42	2.36
95 / 75	T.C.	24.2	26.7	24.5	31.6	36.1	25.8	28.2	25.3	33.1	37.9	27.4	29.7	26.2	34.6	39.7
	S.C.	23.8	21.8	18.8	19.4	15.1	25.4	25.0	20.8	21.5	16.4	26.9	28.2	22.8	23.6	17.6
	K.W.	2.72	2.68	2.82	2.78	2.63	2.74	2.72	2.78	2.74	2.65	2.76	2.75	2.74	2.70	2.68
105 / 83	T.C.	21.9	23.6	20.8	27.3	32.6	23.1	24.7	21.1	29.0	33.9	24.2	25.7	21.3	30.6	35.3
	S.C.	21.5	20.3	17.0	19.1	13.6	22.7	22.5	18.0	21.1	14.7	23.9	24.6	19.0	23.2	15.7
	K.W.	3.15	3.16	3.22	3.16	3.06	3.17	3.17	3.20	3.14	3.09	3.18	3.18	3.18	3.12	3.12
115 / 89	T.C.	19.6	20.6	17.1	23.2	29.2	20.4	21.2	16.9	25.0	30.1	21.2	21.8	16.6	26.8	31.1
	S.C.	19.3	18.8	15.1	18.8	12.2	20.1	20.0	15.3	20.8	13.0	20.9	21.1	15.4	22.7	13.9
	K.W.	3.56	3.63	3.60	3.53	3.47	3.58	3.61	3.60	3.53	3.51	3.59	3.60	3.60	3.53	3.54
125 / 95	T.C.	17.3	17.6	13.5	19.1	25.7	17.7	17.8	12.7	21.0	26.3	18.2	17.9	11.9	22.9	26.8
	S.C.	17.0	17.4	13.3	18.6	10.7	17.4	17.5	12.5	20.4	11.4	17.9	17.6	11.8	22.3	12.1
	K.W.	3.98	4.10	3.98	3.91	3.89	3.99	4.05	4.00	3.92	3.93	4.00	4.01	4.02	3.93	3.97

**COOLING PERFORMANCE DATA - HIGH - 4 TON (HIGH SPEED)**

PACKAGED UNIT MODEL NO. PCG6B48																
CONDENSER ENTERING AIR TEMPERATURE	ID CFM	1400					1600					1800				
	IDDB	80	80	75	80	80	80	80	75	80	80	80	80	75	80	80
	IDWB	57	62	62	67	72	57	62	62	67	72	57	62	62	67	72
55 / 45	T.C.	46.5	54.3	55.5	56.6	59.6	47.9	54.3	55.6	56.8	59.9	49.2	54.3	55.6	56.9	60.1
	S.C.	45.7	41.3	35.4	35.0	27.8	47.2	43.3	36.8	35.0	28.0	48.7	45.2	38.2	35.0	28.1
	K.W.	2.66	2.72	2.72	2.93	2.75	2.76	2.80	2.80	2.92	2.82	2.86	2.88	2.87	2.90	2.89
65 / 55	T.C.	43.8	51.2	52.2	54.8	58.3	44.9	51.7	52.7	54.8	58.7	46.1	52.1	53.3	54.9	59.1
	S.C.	43.3	40.2	34.1	33.8	27.0	44.3	35.9	37.0	34.7	31.7	45.3	31.7	40.0	35.5	36.5
	K.W.	2.93	3.06	2.98	3.11	3.13	3.03	3.06	3.06	3.15	3.16	3.13	3.06	3.14	3.19	3.20
75 / 63	T.C.	41.1	48.2	48.8	52.9	56.9	42.0	49.1	49.9	52.9	57.5	43.0	49.9	51.0	52.8	58.1
	S.C.	41.0	39.1	32.9	32.6	26.1	41.5	28.6	37.3	34.3	35.5	41.9	18.2	41.8	36.0	44.9
	K.W.	3.19	3.39	3.24	3.29	3.51	3.29	3.32	3.33	3.38	3.51	3.39	3.25	3.41	3.47	3.50
85 / 69	T.C.	40.3	45.2	46.3	49.4	53.8	40.1	45.6	46.8	49.2	54.0	39.9	46.1	47.2	48.9	54.2
	S.C.	39.8	37.3	31.1	31.2	24.6	39.4	33.1	34.1	32.8	29.8	39.1	28.9	37.2	34.4	34.9
	K.W.	3.55	3.66	3.58	3.72	3.77	3.64	3.67	3.66	3.77	3.81	3.74	3.67	3.75	3.81	3.85
95 / 75	T.C.	39.4	42.2	43.8	45.9	50.7	38.1	42.2	43.6	45.5	50.5	36.8	42.3	43.4	45.1	50.3
	S.C.	38.6	35.5	29.3	29.7	23.1	37.4	37.6	30.9	31.2	24.1	36.2	39.7	32.6	32.7	25.0
	K.W.	3.91	3.93	3.92	4.15	4.03	4.00	4.01	4.00	4.15	4.11	4.09	4.09	4.08	4.15	4.19
105 / 83	T.C.	34.6	37.5	39.1	41.7	46.5	34.0	37.9	39.0	41.3	46.1	33.4	38.3	38.9	40.9	45.7
	S.C.	34.0	33.1	27.4	27.8	21.2	33.4	34.8	26.2	29.3	22.0	32.9	36.5	25.1	30.9	22.9
	K.W.	4.42	4.49	4.43	4.65	4.58	4.51	4.54	4.47	4.65	4.63	4.59	4.60	4.52	4.65	4.68
115 / 89	T.C.	29.9	33.0	34.6	37.7	42.4	30.0	33.8	34.5	37.2	41.8	30.1	34.5	34.5	36.8	41.2
	S.C.	29.5	30.7	25.5	26.0	19.3	29.6	32.1	21.7	27.6	20.1	29.8	33.5	17.9	29.1	20.8
	K.W.	4.91	5.03	4.92	5.14	5.12	5.00	5.06	4.94	5.13	5.14	5.09	5.09	4.95	5.13	5.17
125 / 95	T.C.	25.2	28.4	30.1	33.6	38.2	26.0	29.6	30.1	33.2	37.5	26.8	30.7	30.1	32.7	36.7
	S.C.	25.0	28.4	23.6	24.2	17.5	25.8	29.4	17.1	25.8	18.1	26.6	30.4	10.6	27.3	18.8
	K.W.	5.41	5.58	5.41	5.62	5.66	5.50	5.58	5.40	5.62	5.66	5.58	5.58	5.39	5.62	5.65

COOLING PERFORMANCE DATA - 5 TON (LOW SPEED)																
PACKAGED UNIT MODEL NO. PCG6B60																
CONDENSER ENTERING AIR TEMPERATURE	ID CFM	1100					1300					1500				
	IDDB	80	80	75	80	80	80	80	75	80	80	80	80	75	80	80
	IDWB	57	62	62	67	72	57	62	62	67	72	57	62	62	67	72
55 / 45	T.C.	44.6	51.1	50.5	55.7	59.9	47.1	53.0	51.7	57.4	61.8	49.5	54.9	53.0	59.2	63.8
	S.C.	44.6	43.1	36.8	36.5	30.0	47.1	47.5	40.0	39.4	31.6	49.5	51.8	43.3	42.4	33.3
	K.W.	1.77	1.77	1.77	1.74	1.90	1.87	1.87	1.88	1.84	1.92	1.98	1.98	1.99	1.94	1.94
65 / 55	T.C.	42.1	47.6	46.8	52.1	57.3	44.3	49.4	48.4	53.9	59.6	46.6	51.2	50.1	55.7	61.9
	S.C.	42.1	41.4	35.0	34.9	28.5	44.3	45.6	38.1	37.8	30.2	46.6	49.9	41.2	40.8	31.9
	K.W.	2.05	2.05	2.14	2.11	2.08	2.15	2.15	2.20	2.16	2.14	2.25	2.24	2.25	2.22	2.20
75 / 63	T.C.	39.6	44.2	43.1	48.5	54.8	41.6	45.8	45.1	50.3	57.4	43.7	47.4	47.1	52.1	60.1
	S.C.	39.6	39.6	33.3	33.3	26.9	41.6	43.8	36.2	36.2	28.7	43.7	47.4	39.1	39.2	30.4
	K.W.	2.34	2.33	2.51	2.48	2.26	2.43	2.42	2.51	2.48	2.36	2.52	2.51	2.52	2.49	2.45
85 / 69	T.C.	36.5	40.6	39.8	44.8	50.8	38.3	41.8	41.5	46.3	53.0	40.1	43.0	43.2	47.9	55.1
	S.C.	36.5	37.6	31.4	31.4	25.1	38.3	40.9	34.2	34.3	26.8	40.1	43.0	37.0	37.2	28.6
	K.W.	2.69	2.67	2.87	2.74	2.61	2.78	2.77	2.87	2.79	2.71	2.87	2.88	2.88	2.84	2.81
95 / 75	T.C.	33.4	37.0	36.4	41.0	46.9	35.0	37.8	37.8	42.3	48.5	36.5	38.6	39.3	43.6	50.2
	S.C.	33.4	35.5	29.5	29.5	23.2	35.0	37.8	32.2	32.3	25.0	36.5	38.6	34.9	35.1	26.7
	K.W.	3.04	3.02	3.23	3.00	2.96	3.13	3.13	3.23	3.10	3.07	3.22	3.25	3.24	3.20	3.17
105 / 83	T.C.	30.0	34.0	32.7	36.5	42.1	31.3	34.3	33.6	37.3	43.3	32.7	34.6	34.5	38.1	44.6
	S.C.	30.0	32.8	27.2	27.4	21.2	31.3	34.3	29.6	30.1	22.7	32.7	34.6	32.0	32.9	24.3
	K.W.	3.56	3.48	3.62	3.46	3.43	3.62	3.59	3.66	3.56	3.53	3.69	3.70	3.70	3.66	3.63
115 / 89	T.C.	26.7	31.1	29.0	32.1	37.4	27.8	30.9	29.4	32.5	38.3	28.9	30.6	29.9	32.8	39.1
	S.C.	26.7	30.3	25.0	25.4	19.2	27.8	30.9	27.1	28.0	20.6	28.9	30.6	29.2	30.7	21.9
	K.W.	4.07	3.93	4.00	3.91	3.87	4.10	4.03	4.07	4.01	3.98	4.13	4.13	4.14	4.11	4.09
125 / 95	T.C.	23.4	28.3	25.3	27.7	32.7	24.3	27.5	25.3	27.6	33.2	25.1	26.7	25.2	27.5	33.7
	S.C.	23.4	27.7	22.8	23.4	17.2	24.3	27.5	24.6	25.9	18.4	25.1	26.7	25.2	27.5	19.6
	K.W.	4.57	4.38	4.39	4.35	4.32	4.58	4.47	4.49	4.46	4.43	4.58	4.57	4.59	4.56	4.54

COOLING PERFORMANCE DATA - 5 TON (HIGH SPEED)																
PACKAGED UNIT MODEL NO. PCG6B60																
CONDENSER ENTERING AIR TEMPERATURE	ID CFM	1600					1800					2000				
	IDDB	80	80	75	80	80	80	80	75	80	80	80	80	75	80	80
	IDWB	57	62	62	67	72	57	62	62	67	72	57	62	62	67	72
55 / 45	T.C.	59.2	68.9	66.5	71.8	77.1	61.3	70.6	67.6	73.5	77.7	63.5	72.3	68.8	75.1	78.3
	S.C.	59.2	55.8	47.0	46.7	37.2	61.3	59.6	49.6	49.1	38.2	63.5	63.4	52.2	51.5	39.1
	K.W.	2.80	2.86	2.87	3.21	2.93	3.03	3.08	3.08	3.28	3.14	3.26	3.30	3.30	3.34	3.35
65 / 55	T.C.	54.3	64.1	61.7	68.4	74.2	55.7	66.1	63.2	69.9	75.5	57.2	68.1	64.7	71.3	76.9
	S.C.	54.3	53.9	45.4	44.9	35.7	55.7	42.9	51.1	47.3	46.7	57.2	31.9	56.8	49.8	57.8
	K.W.	3.07	3.25	3.13	3.34	3.37	3.30	3.34	3.35	3.48	3.51	3.53	3.42	3.56	3.62	3.66
75 / 63	T.C.	49.3	59.2	57.0	65.1	71.3	50.1	61.6	58.8	66.3	73.4	50.9	64.0	60.6	67.4	75.4
	S.C.	49.3	52.0	43.7	43.0	34.2	50.1	26.2	52.5	45.5	55.3	50.9	0.3	60.6	48.0	75.4
	K.W.	3.33	3.65	3.39	3.47	3.81	3.57	3.60	3.61	3.68	3.89	3.80	3.55	3.83	3.90	3.97
85 / 69	T.C.	48.7	55.4	53.9	60.5	67.1	47.8	57.3	55.3	61.5	68.6	46.8	59.2	56.8	62.4	70.2
	S.C.	48.7	49.6	41.4	41.0	32.2	47.8	38.2	47.0	43.3	43.3	46.8	26.7	52.7	45.7	54.5
	K.W.	3.71	3.87	3.74	3.95	4.02	3.94	3.96	3.96	4.10	4.17	4.16	4.04	4.17	4.25	4.32
95 / 75	T.C.	48.0	51.6	50.7	55.9	62.8	45.4	53.0	51.8	56.7	63.9	42.8	54.3	53.0	57.4	64.9
	S.C.	48.0	47.2	39.1	39.1	30.3	45.4	50.1	41.5	41.2	31.4	42.8	53.0	43.9	43.3	32.6
	K.W.	4.09	4.10	4.09	4.44	4.23	4.30	4.31	4.30	4.52	4.44	4.52	4.53	4.51	4.60	4.66
105 / 83	T.C.	42.5	46.6	45.9	50.9	57.9	40.7	48.1	47.1	51.6	58.7	38.9	49.5	48.3	52.3	59.6
	S.C.	42.5	43.9	36.8	36.9	28.2	40.7	46.3	33.0	39.0	29.3	38.9	48.7	29.1	41.1	30.4
	K.W.	4.60	4.71	4.61	4.96	4.84	4.82	4.87	4.77	5.04	5.00	5.03	5.04	4.92	5.11	5.17
115 / 89	T.C.	37.0	41.8	41.3	46.0	53.1	36.1	43.4	42.5	46.7	53.8	35.1	44.9	43.8	47.4	54.4
	S.C.	37.0	40.7	34.7	34.7	26.2	36.1	42.6	24.7	36.9	27.2	35.1	44.5	14.7	39.0	28.2
	K.W.	5.10	5.29	5.12	5.46	5.43	5.32	5.42	5.23	5.54	5.54	5.54	5.54	5.33	5.61	5.66
125 / 95	T.C.	31.6	37.0	36.6	41.1	48.2	31.5	38.6	37.9	41.8	48.8	31.4	40.2	39.3	42.5	49.3
	S.C.	31.6	37.0	32.5	32.6	24.2	31.5	38.6	16.4	34.7	25.1	31.4	40.2	0.3	36.8	26.1
	K.W.	5.60	5.88	5.63	5.96	6.01	5.82	5.96	5.68	6.04	6.09	6.04	6.04	5.74	6.11	6.16



A0296-003

## UNIT DIMENSIONS

Model	Dimensions		
	A	B	C
24	51-1/4	35-3/4	47
30	51-1/4	35-3/4	47
36	51-1/4	45-3/4	49
42	51-1/4	45-3/4	49
48	51-1/4	45-3/4	53
60	51-1/4	45-3/4	55

## UNIT CLEARANCES<sup>1, 2, 4</sup>

Direction	Distance (in.)	Direction	Distance (in.)
Top <sup>3</sup>	36	Power Entry (Right Side)	36
Side Opposite Ducts	36	Left Side	24
Duct Panel	0	Bottom <sup>4</sup>	1

1. A 1" clearance must be provided between any combustible material and the supply air duct work.
2. The products of combustion must not be allowed to accumulate within a confined space and recirculate.
3. Units must be installed outdoors. Over hanging structure or shrubs should not obstruct condenser air discharge outlet.
4. Units may be installed on combustible materials made from wood or class A, B or C roof covering materials only if factory base rails are left in place as shipped.

## INDOOR BLOWER SPECIFICATIONS

Model	Motor				
	HP	RPM	EFF.	SF	Frame
24050, 30050	1/3	Variable	0.8	1.0	48
24075, 30075, 36065	1/2	Variable	0.8	1.0	48
36100, 42065, 42100, 48065, 48100, 48125	3/4	Variable	0.8	1.0	48
60065, 60100, 60125	1	Variable	0.8	1.0	48

## SOUND PERFORMANCE

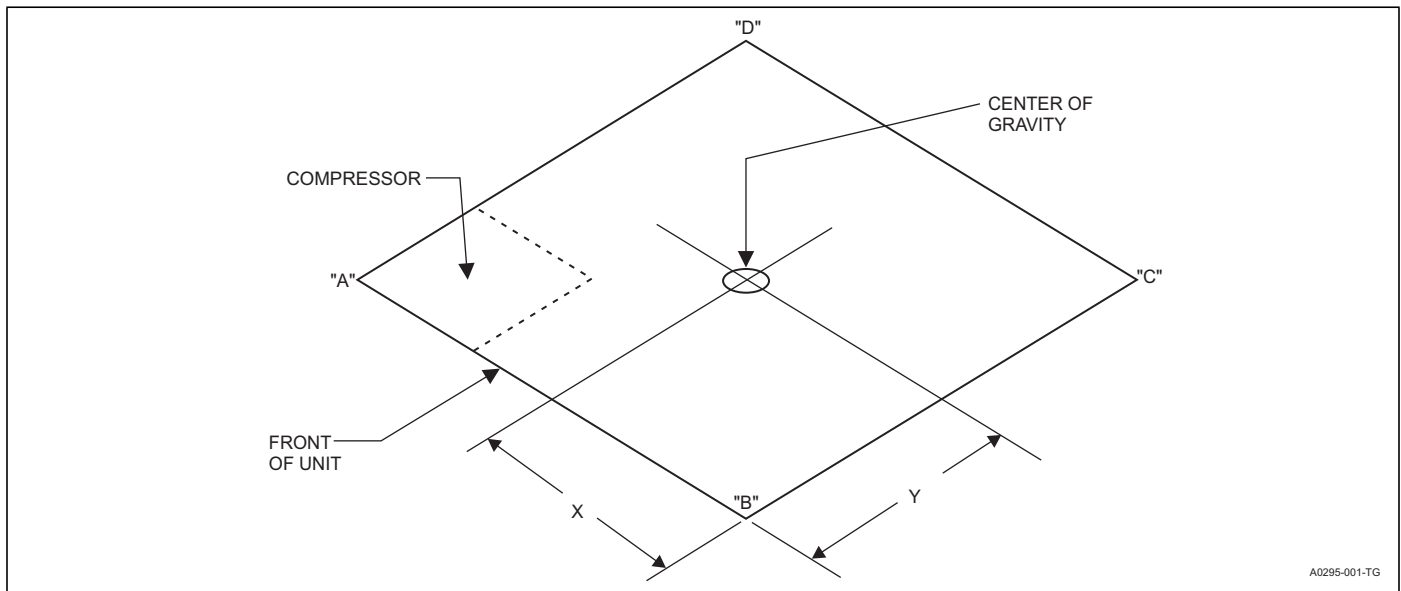
Model (Tons)	Sound Rating <sup>1</sup> dB (A)	Octave Band Centerline Frequency (Hz)						
		125	250	500	1000	2000	4000	8000
24	75	62.4	61.5	64.2	67	61	57.3	49.6
30	75	60.5	61.6	64.8	66.9	60.9	56.0	49.7
36	74	58.5	61.8	65.4	66.5	60.7	54.8	49.8
42	74	63.5	63.9	62.3	65	64	54.1	46.6
48	74	63.5	63.9	62.3	65	64	54.1	46.6
60	76	72.3	65.0	63.9	64	60	55.5	49.0

1. Rated in accordance with AHRI Standard 270.

**ELECTRICAL DATA**

Model	Voltage	Compressor			OD Fan Motor	Supply Blower Motor	MCA <sup>1</sup> (Amps)	Max Fuse <sup>2</sup> / Breaker Size (Amps) <sup>3</sup>
		RLA	LRA	MCC	FLA	FLA		
24050	208/230-1-60	11.7	58.3	18.2	0.7	2.6	17.9	25
24075	208/230-1-60	11.7	58.3	18.2	0.7	3.8	19.1	30
30050	208/230-1-60	13.1	73.0	20.4	0.8	2.6	19.8	30
30075	208/230-1-60	13.1	73.0	20.4	0.8	3.8	21.0	30
36065	208/230-1-60	15.6	83.0	24.4	1.7	3.8	25.0	40
36100	208/230-1-60	15.6	83.0	24.4	1.7	5.4	26.6	40
42065, 42100	208/230-1-60	17.9	96.0	28.0	1.7	5.4	29.5	45
48065, 48100, 48125	208/230-1-60	21.2	104.0	33.0	1.7	5.4	33.6	50
60065, 60100, 60125	208/230-1-60	26.9	152.9	42.0	1.7	7.0	42.3	60

1. Minimum Circuit Ampacity.
2. Maximum Over Current Protection per standard UL 1995.
3. Fuse or HACR circuit breaker is field installed.



**WEIGHTS & DIMENSIONS**

Model	Weight (lbs.)		Center of Gravity		4 Point Load Location (lbs.)			
	Shipping	Operating	X	Y	A	B	C	D
24050	372	367	28	15	120	95	81	71
24075	382	377	28	15	124	96	81	76
30050	417	412	28	15	139	99	90	84
30075	421	416	28	15	146	93	82	95
36065	466	461	28	15	161	113	96	91
36100	473	468	28	15	163	114	101	90
42065	500	495	28	15	175	123	104	93
42100	502	497	28	15	176	124	101	96
48065	520	515	28	15	189	116	93	117
48100	528	523	28	15	169	139	115	100
48125	533	528	28	15	164	145	124	95
60065	537	532	29	15	174	142	124	92
60100	541	536	28	15	177	140	117	102
60125	548	543	27	15	151	167	141	84

## AIRFLOW PERFORMANCE - SIDE DUCT APPLICATION

Model	Jumper Position	External Static Pressure (Inches WC)										
		0.1	0.2	0.3	0.4	0.5	0.6	0.7	0.8	0.9	1.0	
		SCFM	SCFM	SCFM	SCFM	SCFM	SCFM	SCFM	SCFM	SCFM	SCFM	
24050	High Cool	A	991	957	913	863	809	768	717	662	630	598
		B	902	858	809	753	703	659	615	570	513	496
		C	826	779	719	664	616	570	531	478	434	417
		D	693	642	571	529	466	430	390	357	309	275
	Low Cool	A	808	761	699	645	597	552	512	455	420	401
		B	718	668	599	554	495	457	416	375	334	304
		C	615	556	489	450	390	358	311	281	221	181
		D	562	494	436	395	348	317	259	217	155	113
	High Heat	A	862	815	761	702	655	607	571	524	463	450
		B	768	721	654	604	553	511	469	411	386	362
		C	680	628	557	516	451	416	376	348	296	261
		D	655	602	530	491	422	389	350	330	271	232
	Low Heat	A	862	815	761	702	655	607	571	524	463	450
		B	756	708	640	591	539	498	456	402	373	347
		C	628	571	503	464	400	368	324	298	238	198
		D	602	540	476	436	379	348	298	265	204	164
24075	High Cool	A	982	946	899	849	801	761	710	656	609	581
		B	927	867	813	761	717	667	612	561	524	487
		C	870	761	699	649	605	539	484	449	422	370
		D	799	623	552	475	436	387	338	294	237	192
	Low Cool	A	902	822	764	713	669	612	557	513	480	437
		B	855	734	669	615	572	509	454	418	385	334
		C	827	678	611	545	504	448	396	356	311	263
		D	675	546	466	404	347	277	205	160	126	80
	High Heat	A	1184	1161	1124	1084	1041	994	954	913	872	822
		B	1076	1047	1011	967	912	875	833	790	734	707
		C	992	957	912	863	813	774	724	672	622	596
		D	927	867	813	761	717	667	612	561	524	487
	Low Heat	A	1205	1182	1145	1107	1065	1019	979	938	896	845
		B	1076	1047	1011	967	912	875	833	790	734	707
		C	992	957	912	863	813	774	724	672	622	596
		D	902	822	764	713	669	612	557	513	480	437
30050	High Cool	A	1148	1117	1081	1039	991	945	901	862	821	764
		B	1078	1047	1007	962	906	859	816	769	722	693
		C	1026	994	951	903	846	803	757	696	673	635
		D	871	824	771	712	664	616	580	536	470	458
	Low Cool	A	982	947	904	853	799	759	707	654	620	589
		B	910	867	819	763	713	670	624	578	524	505
		C	808	761	699	645	597	552	512	455	420	401
		D	781	734	668	617	568	525	482	420	398	376
	High Heat	A	862	815	761	702	655	607	571	524	463	450
		B	768	721	654	604	553	511	469	411	386	362
		C	680	628	557	516	451	416	376	348	296	261
		D	655	602	530	491	422	389	350	330	271	232
	Low Heat	A	862	815	761	702	655	607	571	524	463	450
		B	756	708	640	591	539	498	456	402	373	347
		C	628	571	503	464	400	368	324	298	238	198
		D	602	540	476	436	379	348	298	265	204	164
30075	High Cool	A	1152	1128	1090	1049	1005	958	917	876	834	788
		B	1076	1047	1011	967	912	875	833	790	734	707
		C	1023	991	950	903	850	813	767	719	664	640
		D	910	837	780	729	685	631	576	529	495	453
	Low Cool	A	982	946	899	849	801	761	710	656	609	581
		B	927	867	813	761	717	667	612	561	524	487
		C	870	761	699	649	605	539	484	449	422	370
		D	813	650	582	510	470	417	367	325	274	227
	High Heat	A	1184	1161	1124	1084	1041	994	954	913	872	822
		B	1076	1047	1011	967	912	875	833	790	734	707
		C	992	957	912	863	813	774	724	672	622	596
		D	927	867	813	761	717	667	612	561	524	487
	Low Heat	A	1205	1182	1145	1107	1065	1019	979	938	896	845
		B	1076	1047	1011	967	912	875	833	790	734	707
		C	992	957	912	863	813	774	724	672	622	596
		D	902	822	764	713	669	612	557	513	480	437

Continued on following pages. See Notes at end of table.

## AIRFLOW PERFORMANCE - SIDE DUCT APPLICATION (Continued)

Model	Jumper Position	External Static Pressure (Inches WC)										
		0.1	0.2	0.3	0.4	0.5	0.6	0.7	0.8	0.9	1.0	
		SCFM	SCFM	SCFM	SCFM	SCFM	SCFM	SCFM	SCFM	SCFM	SCFM	
36065	High Cool	A	1371	1354	1303	1257	1209	1148	1084	1008	934	878
		B	1293	1246	1206	1152	1098	1028	938	865	813	767
		C	1232	1178	1131	1077	1012	929	853	790	738	690
		D	1058	999	931	859	762	694	635	582	523	459
	Low Cool	A	1153	1095	1036	979	899	810	751	697	643	588
		B	1015	952	884	802	709	646	582	528	467	402
		C	882	805	741	625	556	501	415	359	297	228
		D	805	718	642	523	436	376	294	247	193	118
	High Heat	A	1126	1067	1006	945	860	777	718	664	608	551
		B	1015	952	884	802	709	646	582	528	467	402
		C	955	886	821	721	642	584	508	453	391	324
		D	910	836	774	661	592	537	453	396	333	265
	Low Heat	A	970	902	837	742	659	599	527	472	410	343
		B	818	732	659	540	456	397	314	265	211	136
		C	766	674	593	473	377	314	234	190	142	63
		D	721	625	540	413	314	251	172	131	102	53
36100	High Cool	A	1374	1333	1298	1255	1204	1145	1100	1044	993	933
		B	1304	1260	1218	1170	1116	1055	1007	953	896	834
		C	1233	1186	1137	1085	1029	965	915	861	799	736
		D	1063	1006	937	871	806	735	678	628	550	484
	Low Cool	A	1120	1067	1004	944	882	813	758	707	635	569
		B	1025	966	892	823	756	684	625	575	494	427
		C	882	812	716	633	559	480	412	366	270	199
		D	821	746	641	552	475	392	321	276	174	101
	High Heat	A	1704	1667	1645	1612	1572	1520	1477	1419	1384	1327
		B	1506	1468	1441	1404	1358	1302	1259	1203	1159	1101
		C	1322	1278	1238	1191	1138	1077	1030	975	920	859
		D	1251	1205	1157	1107	1051	987	938	884	824	761
	Low Heat	A	1392	1352	1318	1276	1226	1168	1123	1067	1017	957
		B	1251	1205	1157	1107	1051	987	938	884	824	761
		C	1139	1087	1027	968	907	839	785	733	663	598
		D	984	922	841	769	700	625	564	515	430	361
42065	High Cool	A	1555	1518	1494	1459	1414	1360	1318	1261	1220	1162
		B	1473	1435	1406	1368	1320	1264	1220	1164	1119	1060
		C	1374	1333	1298	1255	1204	1145	1100	1044	993	933
		D	1216	1168	1117	1064	1007	942	892	838	775	712
	Low Cool	A	1233	1186	1137	1085	1029	965	915	861	799	736
		B	1139	1087	1027	968	907	839	785	733	663	598
		C	1025	966	892	823	756	684	625	575	494	427
		D	964	900	816	742	672	596	534	485	398	329
	High Heat	A	1120	1067	1004	944	882	813	758	707	635	569
		B	1063	1006	937	871	806	735	678	628	550	484
		C	964	900	816	742	672	596	534	485	398	329
		D	882	812	716	633	559	480	412	366	270	199
	Low Heat	A	1101	1047	982	919	857	787	732	680	606	541
		B	923	856	766	688	616	538	473	426	334	264
		C	821	746	641	552	475	392	321	276	174	101
		D	735	655	533	435	353	266	189	147	100	85
42100	High Cool	A	1555	1518	1494	1459	1414	1360	1318	1261	1220	1162
		B	1473	1435	1406	1368	1320	1264	1220	1164	1119	1060
		C	1374	1333	1298	1255	1204	1145	1100	1044	993	933
		D	1216	1168	1117	1064	1007	942	892	838	775	712
	Low Cool	A	1233	1186	1137	1085	1029	965	915	861	799	736
		B	1139	1087	1027	968	907	839	785	733	663	598
		C	1025	966	892	823	756	684	625	575	494	427
		D	964	900	816	742	672	596	534	485	398	329
	High Heat	A	1704	1667	1645	1612	1572	1520	1477	1419	1384	1327
		B	1506	1468	1441	1404	1358	1302	1259	1203	1159	1101
		C	1322	1278	1238	1191	1138	1077	1030	975	920	859
		D	1251	1205	1157	1107	1051	987	938	884	824	761
	Low Heat	A	1392	1352	1318	1276	1226	1168	1123	1067	1017	957
		B	1251	1205	1157	1107	1051	987	938	884	824	761
		C	1139	1087	1027	968	907	839	785	733	663	598
		D	984	922	841	769	700	625	564	515	430	361

Continued on following pages. See Notes at end of table.



## AIRFLOW PERFORMANCE - SIDE DUCT APPLICATION (Continued)

Model	Jumper Position	External Static Pressure (Inches WC)										
		0.1	0.2	0.3	0.4	0.5	0.6	0.7	0.8	0.9	1.0	
		SCFM	SCFM	SCFM	SCFM	SCFM	SCFM	SCFM	SCFM	SCFM	SCFM	
48065	High Cool	A	1851	1809	1781	1746	1707	1656	1609	1552	1518	1460
		B	1689	1652	1630	1597	1556	1504	1461	1404	1368	1310
		C	1614	1578	1554	1520	1477	1424	1382	1324	1286	1228
		D	1374	1333	1298	1255	1204	1145	1100	1044	993	933
	Low Cool	A	1473	1435	1406	1368	1320	1264	1220	1164	1119	1060
		B	1374	1333	1298	1255	1204	1145	1100	1044	993	933
		C	1322	1278	1238	1191	1138	1077	1030	975	920	859
		D	1286	1241	1197	1149	1095	1032	984	930	872	810
	High Heat	A	1120	1067	1004	944	882	813	758	707	635	569
		B	1063	1006	937	871	806	735	678	628	550	484
		C	964	900	816	742	672	596	534	485	398	329
		D	882	812	716	633	559	480	412	366	270	199
	Low Heat	A	1101	1047	982	919	857	787	732	680	606	541
		B	923	856	766	688	616	538	473	426	334	264
		C	821	746	641	552	475	392	321	276	174	101
		D	735	655	533	435	353	266	189	147	100	85
48100	High Cool	A	1851	1809	1781	1746	1707	1656	1609	1552	1518	1460
		B	1689	1652	1630	1597	1556	1504	1461	1404	1368	1310
		C	1614	1578	1554	1520	1477	1424	1382	1324	1286	1228
		D	1374	1333	1298	1255	1204	1145	1100	1044	993	933
	Low Cool	A	1473	1435	1406	1368	1320	1264	1220	1164	1119	1060
		B	1374	1333	1298	1255	1204	1145	1100	1044	993	933
		C	1322	1278	1238	1191	1138	1077	1030	975	920	859
		D	1286	1241	1197	1149	1095	1032	984	930	872	810
	High Heat	A	1704	1667	1645	1612	1572	1520	1477	1419	1384	1327
		B	1506	1468	1441	1404	1358	1302	1259	1203	1159	1101
		C	1322	1278	1238	1191	1138	1077	1030	975	920	859
		D	1251	1205	1157	1107	1051	987	938	884	824	761
	Low Heat	A	1392	1352	1318	1276	1226	1168	1123	1067	1017	957
		B	1251	1205	1157	1107	1051	987	938	884	824	761
		C	1139	1087	1027	968	907	839	785	733	663	598
		D	984	922	841	769	700	625	564	515	430	361
48125	High Cool	A	1851	1809	1781	1746	1707	1656	1609	1552	1518	1460
		B	1689	1652	1630	1597	1556	1504	1461	1404	1368	1310
		C	1614	1578	1554	1520	1477	1424	1382	1324	1286	1228
		D	1374	1333	1298	1255	1204	1145	1100	1044	993	933
	Low Cool	A	1473	1435	1406	1368	1320	1264	1220	1164	1119	1060
		B	1374	1333	1298	1255	1204	1145	1100	1044	993	933
		C	1322	1278	1238	1191	1138	1077	1030	975	920	859
		D	1286	1241	1197	1149	1095	1032	984	930	872	810
	High Heat	A	2114	2046	1974	1914	1874	1815	1745	1696	1645	1582
		B	1982	1930	1887	1844	1806	1752	1697	1643	1604	1545
		C	1785	1746	1720	1687	1647	1596	1551	1494	1459	1402
		D	1614	1578	1554	1520	1477	1424	1382	1324	1286	1228
	Low Heat	A	2114	2046	1974	1914	1874	1815	1745	1696	1645	1582
		B	1982	1930	1887	1844	1806	1752	1697	1643	1604	1545
		C	1490	1452	1423	1386	1339	1283	1240	1183	1139	1080
		D	1357	1315	1278	1234	1182	1123	1077	1021	969	908
60065	High Cool	A	2149	2114	2077	2030	1989	1948	1905	1859	1816	1768
		B	2013	1977	1941	1898	1860	1816	1772	1726	1677	1630
		C	1936	1900	1864	1822	1783	1739	1695	1649	1597	1551
		D	1719	1685	1642	1600	1555	1508	1465	1418	1372	1327
	Low Cool	A	1629	1591	1546	1502	1455	1409	1362	1315	1266	1220
		B	1558	1516	1469	1423	1375	1329	1280	1232	1181	1135
		C	1453	1406	1355	1305	1255	1207	1153	1100	1047	997
		D	1410	1361	1307	1255	1204	1155	1100	1044	992	938
	High Heat	A	1276	1219	1158	1098	1040	987	927	869	818	761
		B	1133	1068	995	922	849	793	730	680	634	579
		C	1025	950	868	788	713	654	591	505	458	415
		D	844	748	651	563	494	433	372	168	115	105
	Low Heat	A	1228	1169	1104	1039	976	922	861	806	757	700
		B	1086	1017	940	863	786	728	664	617	573	519
		C	844	748	651	563	494	433	372	168	115	105
		D	786	666	593	514	453	370	314	263	180	38

See Notes at end of table on next page.

**AIRFLOW PERFORMANCE - SIDE DUCT APPLICATION (Continued)**

Model	Jumper Position	External Static Pressure (Inches WC)										
		0.1	0.2	0.3	0.4	0.5	0.6	0.7	0.8	0.9	1.0	
		SCFM	SCFM	SCFM	SCFM	SCFM	SCFM	SCFM	SCFM	SCFM	SCFM	
60100	High Cool	A	2149	2114	2077	2030	1989	1948	1905	1859	1816	1768
		B	2013	1977	1941	1898	1860	1816	1772	1726	1677	1630
		C	1936	1900	1864	1822	1783	1739	1695	1649	1597	1551
		D	1719	1685	1642	1600	1555	1508	1465	1418	1372	1327
	Low Cool	A	1629	1591	1546	1502	1455	1409	1362	1315	1266	1220
		B	1558	1516	1469	1423	1375	1329	1280	1232	1181	1135
		C	1453	1406	1355	1305	1255	1207	1153	1100	1047	997
		D	1410	1361	1307	1255	1204	1155	1100	1044	992	938
	High Heat	A	1739	1705	1664	1620	1577	1530	1487	1441	1393	1348
		B	1558	1516	1469	1423	1375	1329	1280	1232	1181	1135
		C	1410	1361	1307	1255	1204	1155	1100	1044	992	938
		D	1323	1270	1213	1156	1104	1052	993	933	880	821
	Low Heat	A	1594	1553	1507	1462	1415	1369	1321	1274	1223	1178
		B	1323	1270	1213	1156	1104	1052	993	933	880	821
		C	1181	1118	1049	980	913	857	795	743	696	640
		D	1025	950	868	788	713	654	591	505	458	415
60125	High Cool	A	2149	2114	2077	2030	1989	1948	1905	1859	1816	1768
		B	2013	1977	1941	1898	1860	1816	1772	1726	1677	1630
		C	1936	1900	1864	1822	1783	1739	1695	1649	1597	1551
		D	1719	1685	1642	1600	1555	1508	1465	1418	1372	1327
	Low Cool	A	1629	1591	1546	1502	1455	1409	1362	1315	1266	1220
		B	1558	1516	1469	1423	1375	1329	1280	1232	1181	1135
		C	1453	1406	1355	1305	1255	1207	1153	1100	1047	997
		D	1410	1361	1307	1255	1204	1155	1100	1044	992	938
	High Heat	A	2259	2221	2183	2142	2099	2060	2015	1975	1931	1882
		B	2093	2059	2023	1977	1938	1896	1852	1805	1760	1712
		C	1908	1872	1835	1792	1753	1709	1665	1619	1566	1522
		D	1760	1726	1685	1641	1598	1552	1510	1463	1413	1370
	Low Heat	A	2259	2221	2183	2142	2099	2060	2015	1975	1931	1882
		B	1965	1929	1893	1851	1813	1769	1724	1678	1628	1580
		C	1701	1666	1623	1580	1535	1488	1445	1397	1351	1305
		D	1683	1648	1604	1560	1515	1468	1424	1377	1330	1284

**NOTES:**

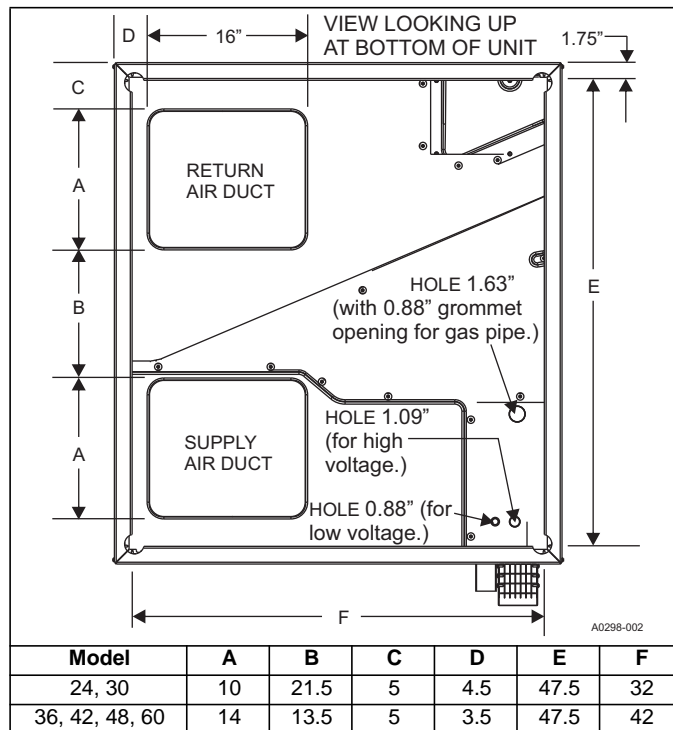
1. Airflow tested with dry coil conditions, without air filters, at 230 volts
2. Applications above 0.8" w.c. external static pressure are not recommended.
3. Brushless DC high efficiency standard ECM blower motor used for all indoor blower assemblies.
4. Minimal variations in airflow performance data results from operating at 208 volts. Data above may be used in those cases.
5. Minimal variations in airflow performance data results from using downflow duct applications. Data above may be used in those cases.
6. Heating applications tested at 0.50" w.c. esp, and cooling applications tested at 0.30" w.c. esp per standards.

**ADDITIONAL STATIC RESISTANCE**

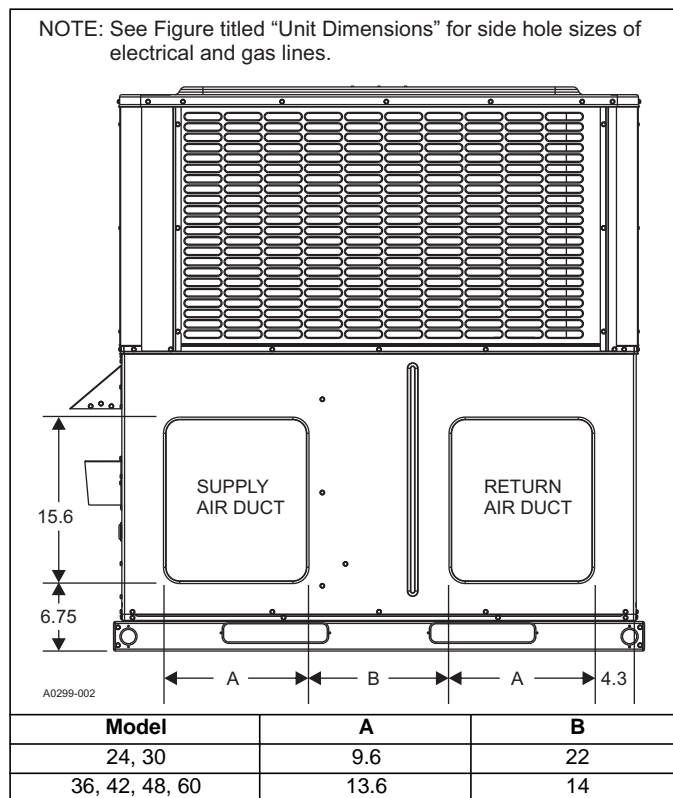
Size (Tons)	CFM	Wet Indoor Coil	Economizer <sup>1</sup>	Filter/Frame Kit
024 (2.0)	500	0.01	0.00	0.01
	600	0.01	0.00	0.02
	700	0.01	0.00	0.04
	800	0.02	0.01	0.06
	900	0.03	0.01	0.08
	1000	0.04	0.01	0.10
	1100	0.05	0.01	0.13
030 (2.5)	1200	0.06	0.02	0.16
	700	0.01	0.00	0.04
	800	0.02	0.01	0.06
	900	0.03	0.01	0.08
	1000	0.04	0.01	0.10
	1100	0.05	0.01	0.13
036 (3.0)	1200	0.06	0.02	0.16
	1300	0.07	0.03	0.17
	700	0.01	0.00	0.04
	800	0.02	0.01	0.06
	900	0.03	0.01	0.08
	1000	0.04	0.01	0.10
	1100	0.05	0.01	0.13
042 (3.5)	1200	0.06	0.02	0.16
	1300	0.07	0.03	0.17
	1400	0.08	0.04	0.18
	1100	0.02	0.02	0.04
	1200	0.03	0.02	0.04
	1300	0.04	0.02	0.05
	1400	0.05	0.03	0.05
	1500	0.06	0.04	0.06
	1600	0.07	0.04	0.07
	1700	0.07	0.04	0.08
048 (4.0)	1800	0.08	0.04	0.09
	1900	0.09	0.05	0.10
	2000	0.09	0.05	0.11
	1100	0.02	0.02	0.04
	1200	0.03	0.02	0.04
	1300	0.04	0.02	0.05
	1400	0.05	0.03	0.05
	1500	0.06	0.04	0.06
	1600	0.07	0.04	0.07
	1700	0.07	0.04	0.08
060 (5.0)	1800	0.08	0.04	0.09
	1900	0.09	0.05	0.10
	2000	0.09	0.05	0.11
	1100	0.02	0.02	0.04
	1200	0.03	0.02	0.04
	1300	0.04	0.02	0.05
	1400	0.05	0.03	0.05
	1500	0.06	0.04	0.06
	1600	0.07	0.04	0.07
1700	0.07	0.04	0.08	

1. The pressure drop through the economizer is greater for 100% outdoor air than for 100% return air. If the resistance of the return air duct is less than 0.25 IWG, the unit will deliver less CFM during full economizer operation. Filter pressure drop based on standard filter media tested at velocities not to exceed 300 ft/min.

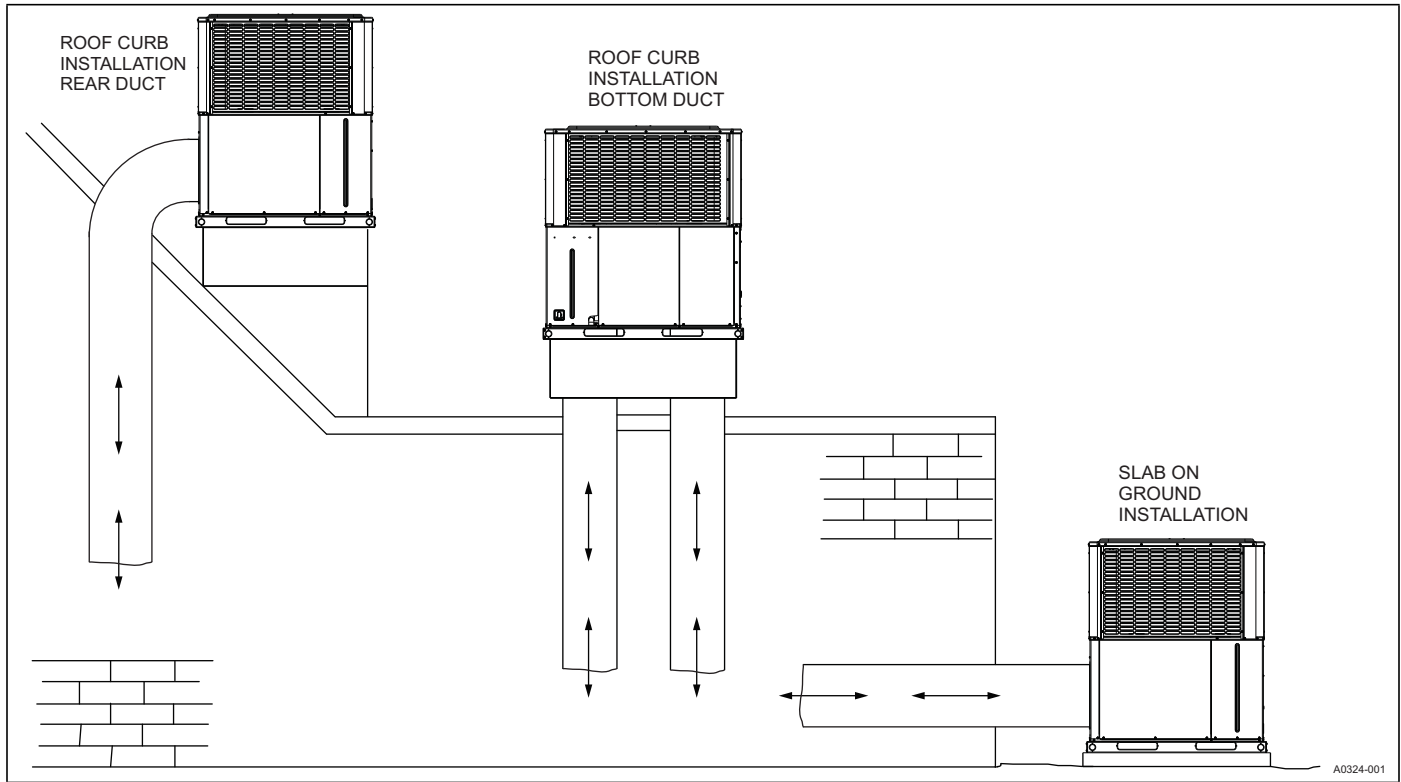
**BOTTOM DUCT DIMENSIONS (Inches)**



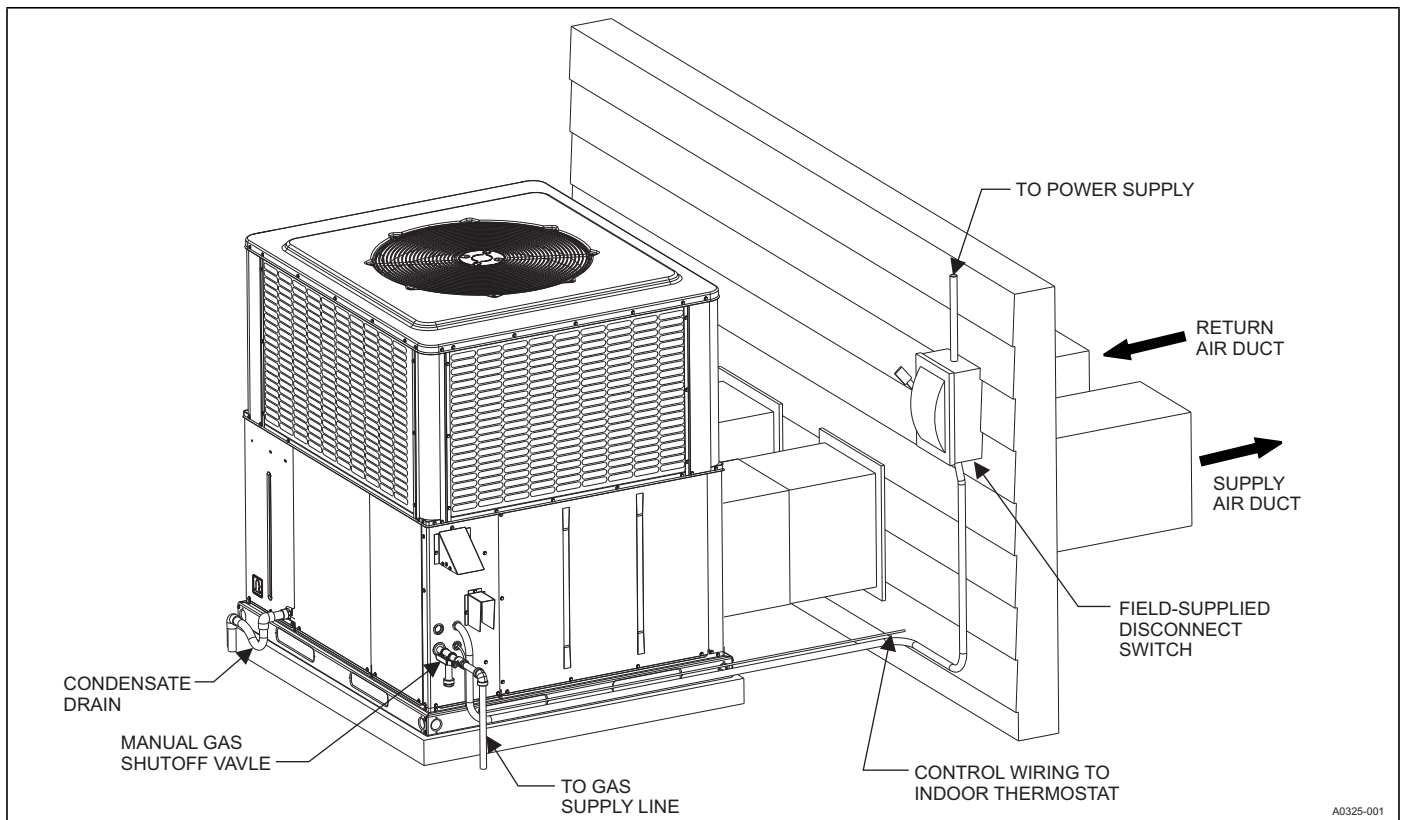
**REAR DUCT DIMENSIONS (Inches)**

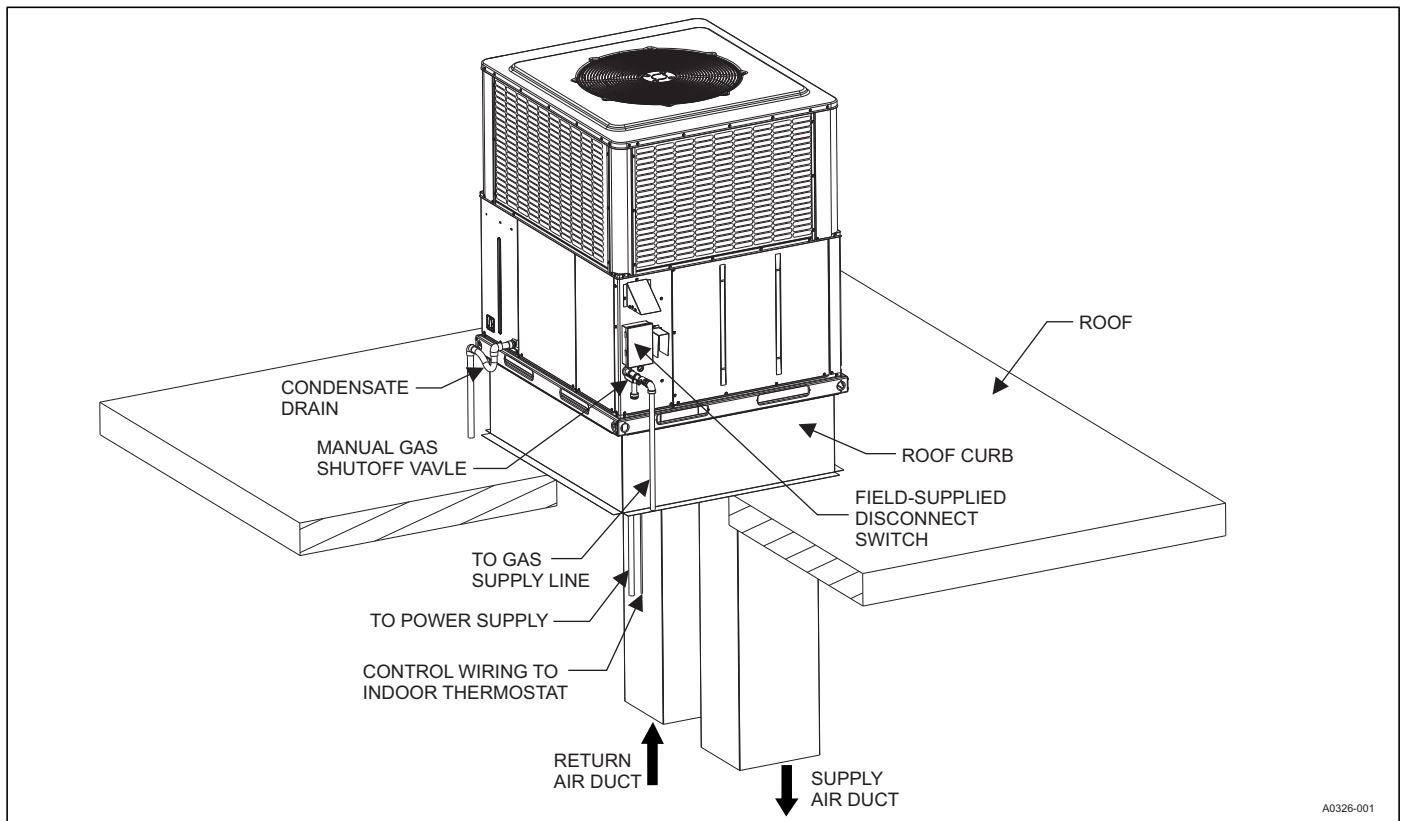


**UNIT TYPICAL DUCT APPLICATIONS**



**UNIT TYPICAL SLAB ON GROUND INSTALLATION**



**UNIT TYPICAL ROOF CURB INSTALLATION**

# NOTES